

VIP-S exhaust valve



VIP-S exhaust valve

VIP-S is a low-structure exhaust valve for quality construction, designed specifically for saunas. Modern VIP-S valve is quick to adjust and its stylish wood-made adjustment knob completes the look of any sauna.

Air flow range

4-35 dm³/s, 14-126 m³/h

Duct sizes

Ø100-125 mm

Installation

For ceiling installation

Color options

RAL 9016 white (matte), RAL 9005 black (matte)

Description

The stylish **VIP** and VIP-S exhaust valves are designed to complement home interiors. Both feature lockable adjustment.

VIP-S is a exhaust valve designed specifically for saunas and features linear adjustment. VIP-S has extremely low structural design and has a modern, stylish adjustment knob made of wood, which makes it blend in perfectly with the wall and ceiling surfaces of most saunas.

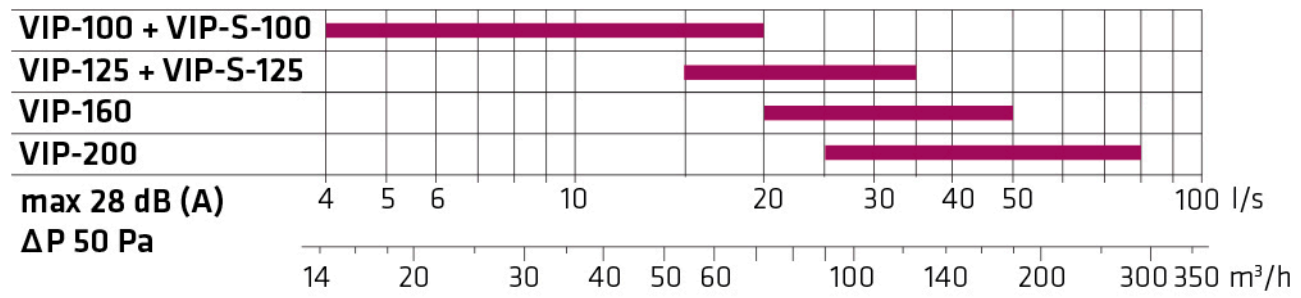
VIP and VIP-S are delivered in protective individual packages, including a collar joint with a gasket.

VIP is available in sizes Ø100-200, and VIP-S in sizes Ø100 and 125.

The standard colours of both products are RAL 9016 and RAL9005.

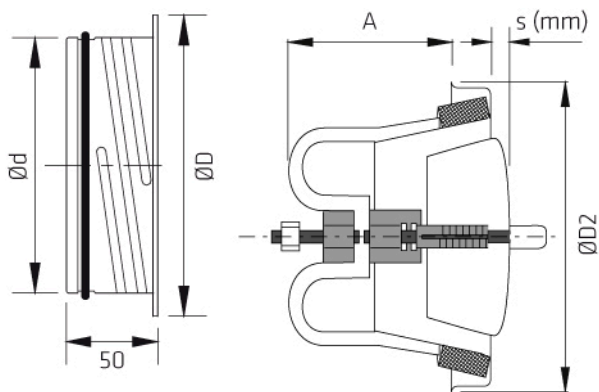
Quick guide

VIP-S and VIP



Dimensions

VIP-S

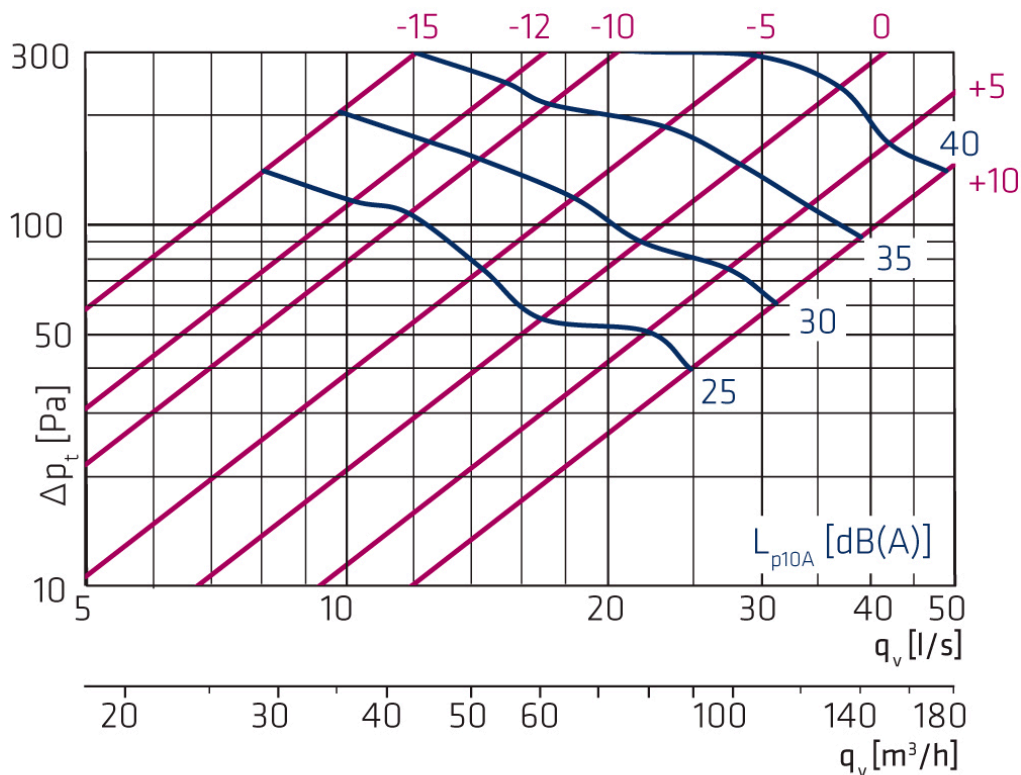


	ØD	A	kg	Ød	ØD2
VIP-100S	135	71	0,385	99	122
VIP-125S	161	85	0,492	124	148

Dimensioning

The diagrams are not intended for making adjustments.

VIP-S-100 and VIP-100



$L_{w\text{okt}} = L_{pA10} + K$								
f, Hz	63	125	250	500	1k	2k	4k	8k
K, dB	16	5	-3	-2	0	-3	-6	-13
ΔL (dB)								
Dt, dB	23	19	14	13	12	14	7	8

VIP-S-125 and VIP-125

