

CTO supply air device

CTO Supply air device is designed for suspended and coffered ceilings and is a perfect choice for general air supply of the professional kitchens. The patented sideways adjustability of CTO makes the installation of the product quick and easy.

Description

One of CTO's properties is the patented sideways adjustability, which remarkably eases the installation work. Even if the duct installation places the supply air device off-centre in the ceiling opening, the sideways adjustability allows shifting it exactly into place without moving the ducts or making changes in the duct system. This adjustability ensures an always tidy installation and may save a lot of installation time.

Watch a video about the adjustability



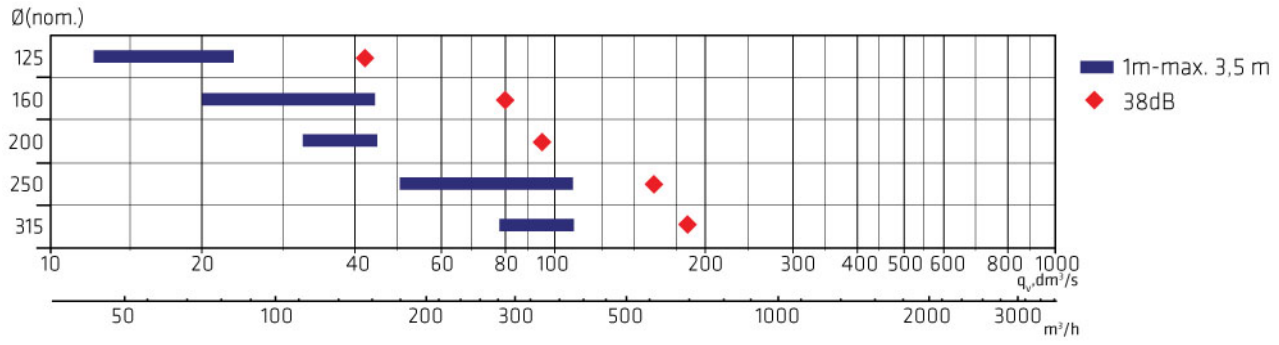
Climecon

Climecon Oy

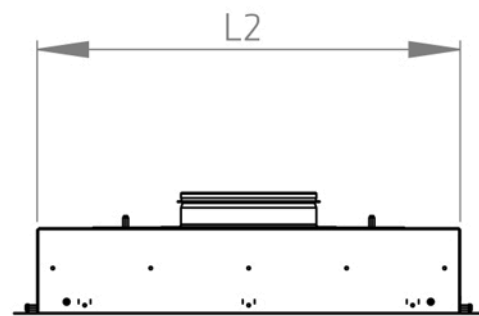
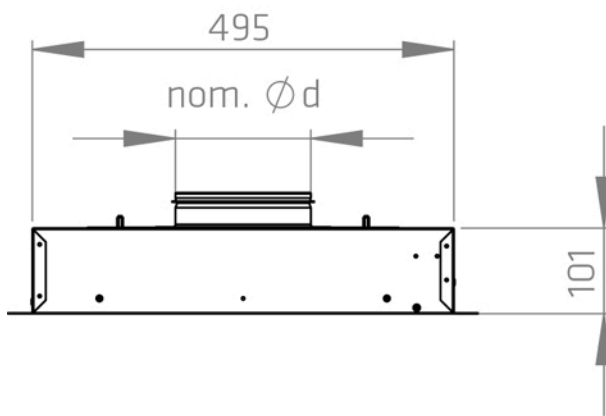
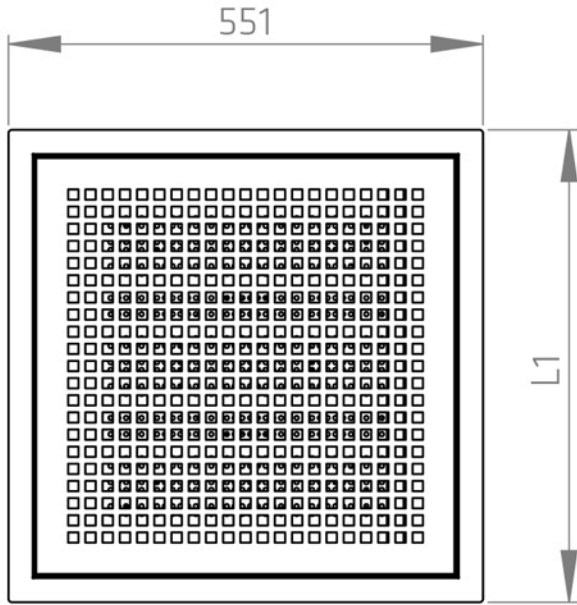
00:40

The construction material of the product is stainless steel, but it is also available painted in white RAL 9016.

Quick selection guide

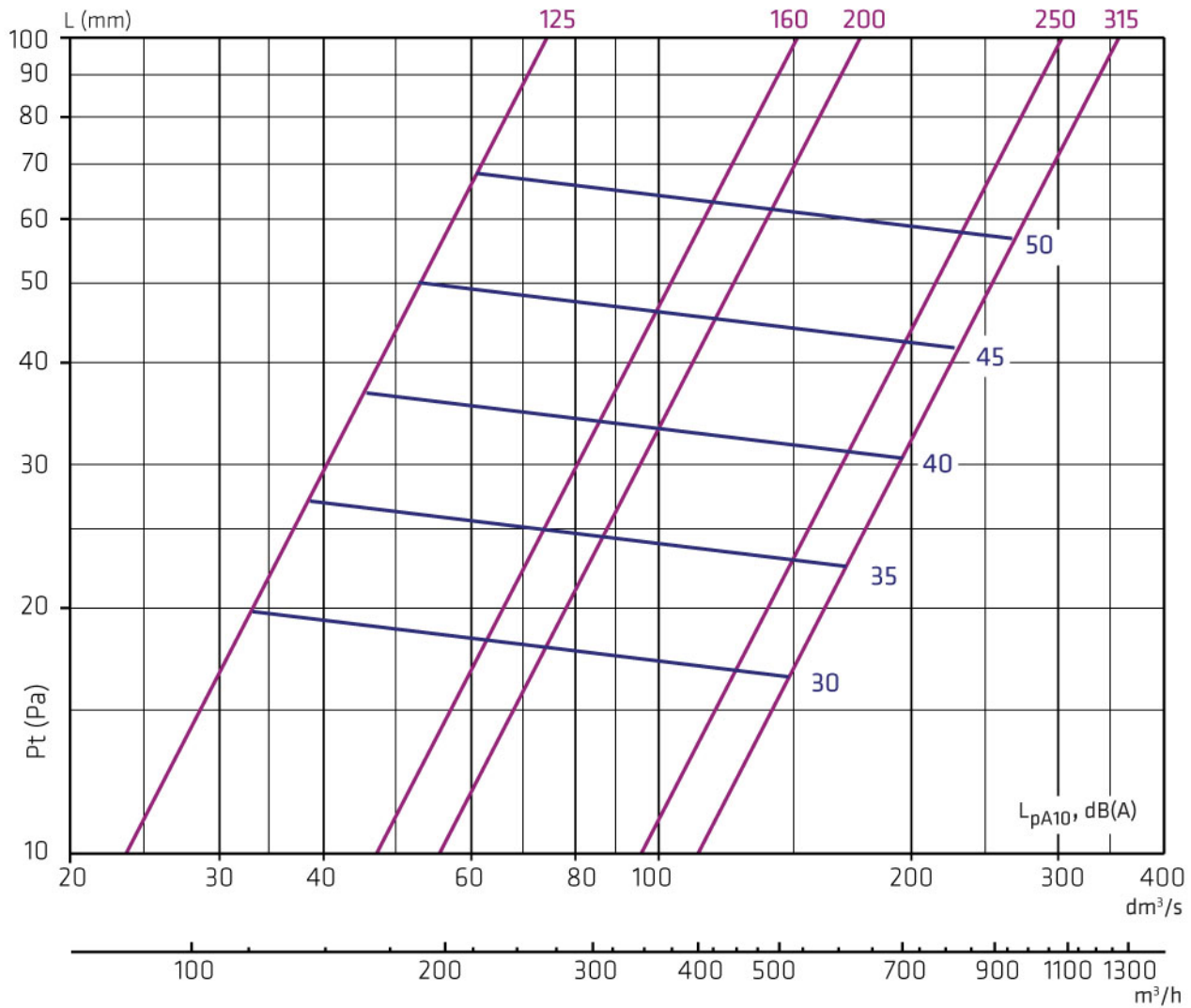


Dimensions



	$\varnothing d$	L1	L2
CTO-125	125	551	497
CTO-160	160		
CTO-200	200		
CTO-250	250	1046	992
CTO-315	315		

Selection diagram



$$L_{w\text{okt}} = L_{pA10} + K$$

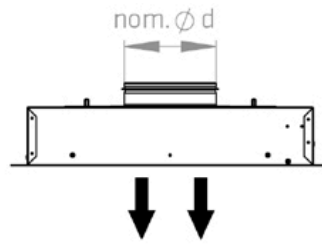
f, Hz	63	125	250	500	1k	2k	4k	8k
K, dB	-2	-4	1	4	-1	-11	-18	-4
ΔL (dB)								
Dt, dB	16	10	1	2	1	1	1	2

Selection guide and product code

Product code:

CTO - 160 - RST

| | |
Type Size Material



Type:	Size:	Material:
CRO = Exhaust air device (general)	nom. Ød = Duct connection	RST = Stainless steel
		M = Galvanised steel, painted

