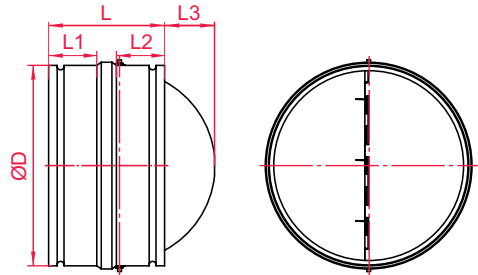


Damper RSK



Description

Back draft circular dampers RSK are used in circular ducting. They allow circulation of air in one direction only. They are mounted into a system of round air ducts. The damper casing is made of galvanized steel. Blades are made of aluminium, they are spring-loaded. Shutter RSK has to be installed as it is shown in the picture: shaft stands vertically rubber ring is fitted inside.

RSK [Item number]	D* [mm]	L [mm]	L1 [mm]	L2 [mm]	L3 [mm]	Weight [kg]	Packing	Multipack
FIT000171	100	92	39	35	11	0,2	P12	64
FIT000173	125	92	39	35	24	0,2	P12	64
FIT000174	150	92	39	35	36	0,3	P6	55
FIT000176	160	92	39	35	41	0,3	P4	63
FIT000178	200	92	39	35	61	0,4	P4	54
FIT000180	250	127	57	53	67	0,7	P2	24
FIT000182	315	127	57	53	101	0,9	P2	36
FIT000183	355	196	103	75	73	1,4	P1	12
FIT000184	400	196	103	75	96	1,6	P1	10
FIT000389	450	196	103	75	121	1,8	P1	8
FIT000383	500	196	103	75	146	2,0	P2	3

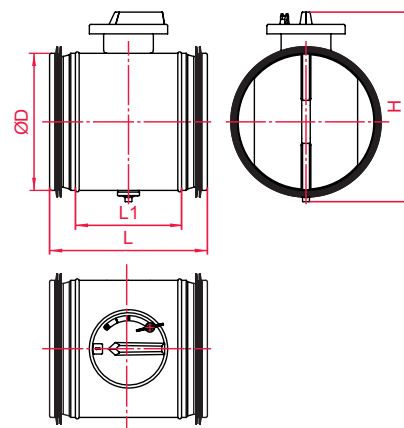
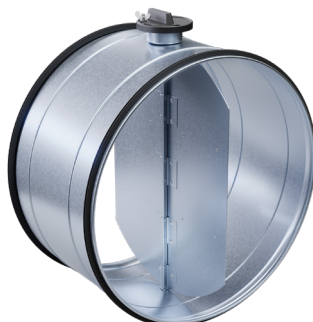
* - nominal.



Damper SKR 160



Damper SKR 450



Description

Circular dampers SKR with manual handle are used for regulating air flow. They are easily installed in a circular air duct system. Can be mounted in any position. The casing is made of galvanized steel. Have a rotating, cut-off blade, which can be continually adjusted in a 0-90° angle by the handle (a handle is attached using one screw) on the top of damper. The blade angle of the damper can be read from an embossed scale on the edge of the plate.

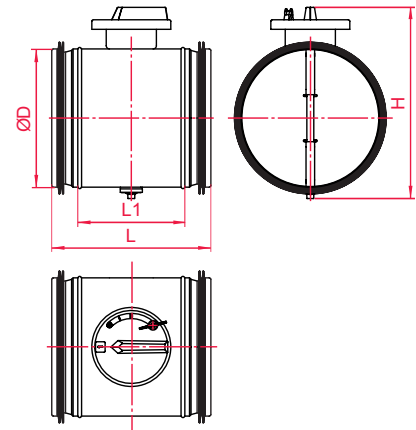
SKR [Item number]	D* [mm]	L1 [mm]	L [mm]	H [mm]	Weight [kg]	Sealing class past closed blade	Packing	Multipack
FIT000213	100	125	185	165	0,5			
FIT000214	125	125	185	190	0,7			
FIT001065	150	125	185	210	1,0			
FIT000216	160	125	185	225	1,1			
FIT000217	200	125	185	265	1,4			
FIT000219	250	125	185	315	1,7			
FIT000220	315	140	225	380	2,4			
FIT000820	355	140	225	420	2,8			
FIT000767	400	140	225	470	3,7			
FIT000821	450	85	225	515	3,9			
FIT000475	500	85	225	565	5,6			
FIT001066	560	85	225	620	6,7			
FIT000822	630	85	225	695	7,1			

* - nominal.

Damper SK 160



Damper SK 450



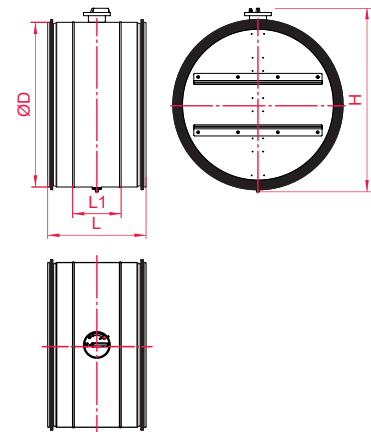
Description

Circular dampers SK with manual handle are used for shutting off and regulating air flow. They are easily installed in a circular air duct system. Can be mounted in any position. The casing is made of galvanized steel. Have a rotating blade, which can be continually adjusted in a 0-90° angle by the handle (a handle is attached using one screw) on the top of damper. The blade angle of the damper can be read from an embossed scale on the edge of the plate.

SK [Item number]	D* [mm]	L1 [mm]	L [mm]	H [mm]	Weight [kg]	Sealing class past closed blade	Packing	Multipack
FIT000187	100	125	185	165	0,5			
FIT000189	125	125	185	190	0,6			
FIT000190	150	125	185	205	1,5			
FIT000192	160	125	185	225	0,7			
FIT001184	180	125	185	240	0,8			
FIT000194	200	125	185	265	1,4			
FIT000196	250	125	185	315	1,7			
FIT000197	300	140	225	360	2,0			
FIT000199	315	140	225	380	2,4			
FIT000457	355	140	225	420	2,8			
FIT000745	400	140	225	470	3,7			
FIT000746	450	85	225	515	3,9			
FIT000373	500	85	225	565	5,6			
FIT001060	560	85	225	620	6,7			
FIT000376	630	85	225	695	7,1			

* - nominal.


Damper SKG-R 160

Damper SKG-R 450


Description

Shut-off dampers SKG-R are used for shutting off and regulating airflow. They are easily installed in a circular air duct system. Can be mounted in any position. The casing is made of galvanized steel. Have a rotating blade, sealed blade, which can be continually adjusted in a 0-90° angle by a handle (a handle is attached using one screw) on the top of damper. The blade of dampers have rubber seal that tightens the inside of the damper when it's in closed position.

SKG-R [Item number]	D* [mm]	L1 [mm]	L [mm]	H [mm]	Weight [kg]	Sealing class past closed blade	Packing	Multipack
FIT001142	100	125	185	165	0,5			
FIT001147	125	125	185	190	0,6			
FIT001148	150	125	185	205	1,5			
FIT001149	160	125	185	225	0,7			
FIT001150	180	125	185	240	0,8			
FIT001151	200	125	185	265	1,4			
FIT001152	250	125	185	315	1,7			
FIT001153	315	140	225	380	2,4			
FIT001154	355	140	225	420	2,8			
FIT001155	400	140	225	470	3,7			
FIT001156	450	85	225	515	3,9			
FIT001157	500	85	225	565	5,6			
FIT001158	560	85	225	620	6,7			
FIT001159	630	85	225	695	7,1			

* - nominal.

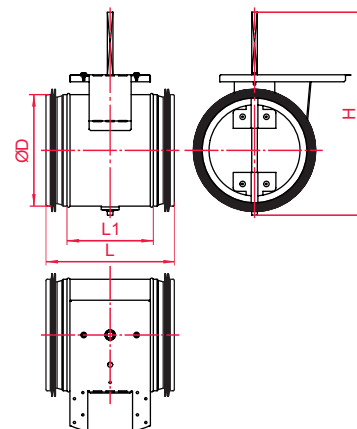
SKG-A |

Damper circular, shut off, sealed blade

Damper SKG-A 160



Damper SKG-A 450



Description

Shut-off dampers SKG-A are used for shutting off and regulating airflow. They are easily installed in a circular air duct system. Can be mounted in any position. The casing is made of galvanized steel. Have a rotating blade, which can be continually adjusted in a 0-90° angle by a motor on the top of damper. The blade of SKG-A dampers has rubber seal that tightens the inside of the damper when it's in closed position. SKG-A shut-off damper is controlled by a motor which is supplied separately.

SKG-A [Item number]	D* [mm]	L1 [mm]	L [mm]	H [mm]	Weight [kg]	Sealing class past closed blade	Torque motorizing [Nm]	Shaft dimension A [mm]	Packing	Multipack
FIT000200	100	125	185	230	0,5					
FIT000201	125	125	185	255	0,7					
FIT000202	150	125	185	280	1,0					
FIT000203	160	125	185	290	1,1					
	180	125	185	310	1,2					
FIT000204	200	125	185	330	1,4					
FIT000205	250	125	185	380	1,7					
	300	140	225	430	2,0					
FIT000206	315	140	225	445	2,4					
FIT000433	355	140	225	485	2,8					
FIT000747	400	140	225	535	3,7					
FIT000441	450	85	225	580	3,9					
FIT000468	500	85	225	630	5,6					
FIT000823	630	85	225	760	7,1					

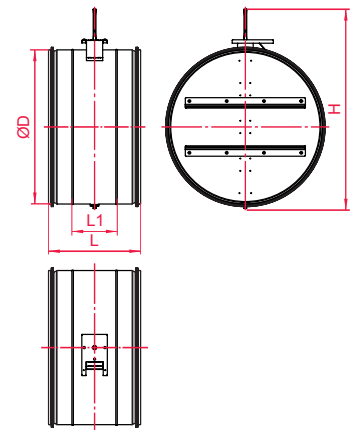
* - nominal.



Damper SKM 160



Damper SKM 450



| Description

Shut-off dampers SKM are used for shutting off and regulating airflow. They are easily installed in a circular air duct system. Can be mounted in any position. The casing is made of galvanized steel. Have a rotating, which can be continually adjusted in a 0-90° angle by a motor on the top of damper.

SKG-A shut-off damper is controlled by a motor which is supplied separately.

SKM [Item number]	D* [mm]	L1 [mm]	L [mm]	H [mm]	Weight [kg]	Sealing class past closed blade	Torque motorizing [Nm]	Shaft dimension A [mm]	Packing	Multipack
FIT000207	100	125	185	230	0,5					
FIT000208	125	125	185	255	0,7					
FIT001063	150	125	185	280	1,0					
FIT000209	160	125	185	290	1,1					
FIT000210	200	125	185	330	1,4					
FIT000211	250	125	185	380	1,7					
FIT000212	315	140	225	445	2,4					
FIT000439	355	140	225	485	2,8					
FIT000824	400	140	225	535	3,7					
FIT000825	450	85	225	580	3,9					
FIT000449	500	85	225	630	5,6					
FIT001064	560	85	225	620	6,7					
FIT000440	630	85	225	760	7,1					

* - nominal.