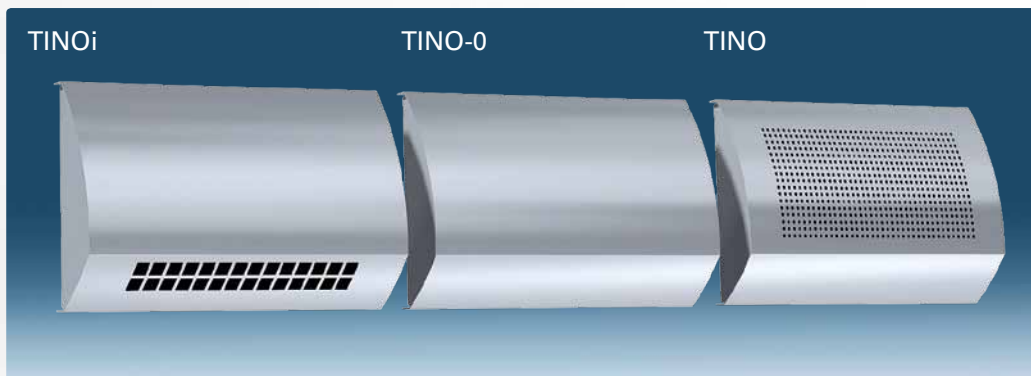


TINOi

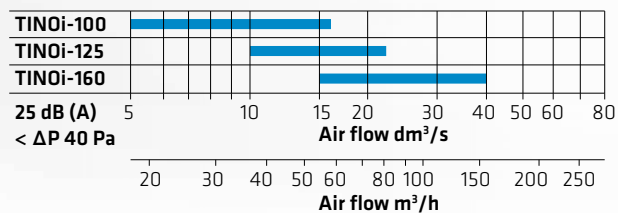
TINOi is an attractively styled exhaust air vent. Its design is congruous with the TINO supply air diffuser. That's why you can have both supply and exhaust in the same attractive style while retaining a perfect design balance in the room.

TINOi

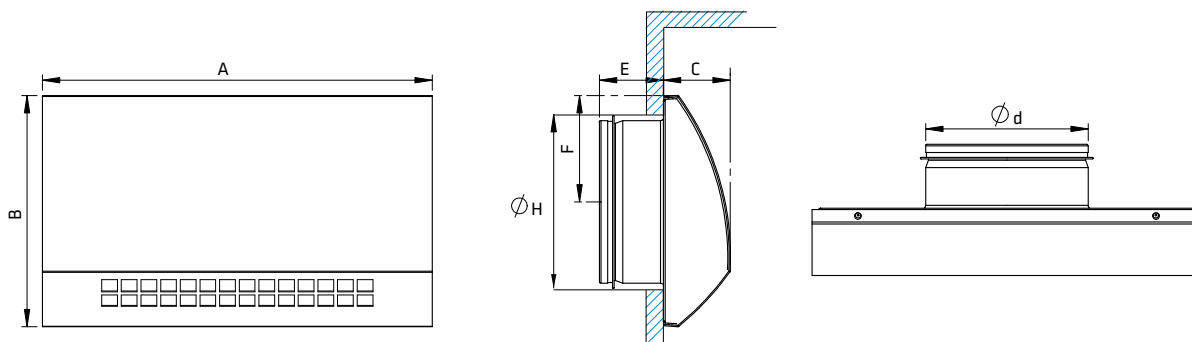
TINOi features reliable measurement combined with quick and accurate adjustment. With TINOi, you can build an interior element by combining it with the TINO supply air diffuser and the blind design element TINO-0.



QUICK GUIDE



DIMENSIONS

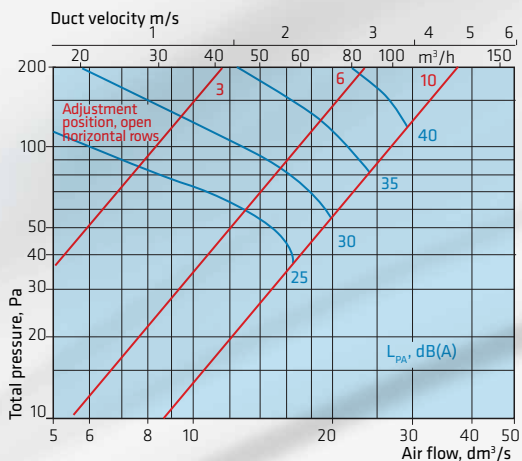


Exhaust air vents

Model	Ød	ØH	AxB	C	E	F	Weight, kg
TINOi-100	100	115	255x150	42	45	68	0,7
TINOi-125	125	140	297,5x175	50	45	80,5	0,9
TINOi-160	160	175	357x210	62	45	98	1,3

TINOi-D is designed for use with flexible plastic ducts. Connections 2x Ø75. Other dimensions same as TINOi-100.

TINOi-100



Sound power level L_{pk}

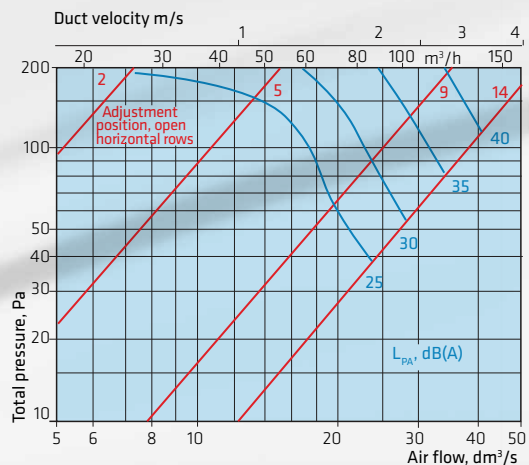
Size	f, Hz	63	125	250	500	1k	2k	4k	8k
TINOi-100	K, dB	-9	2	1	2	-1	-6	-11	-17

Sound attenuation

Size	f, Hz	63	125	250	500	1k	2k	4k	8k
TINOi-100	ΔL, dB	21	15	11	4	8	6	7	9

L_{wokt} = L_{pA} + K

TINOi-125



Sound power level L_{pk}

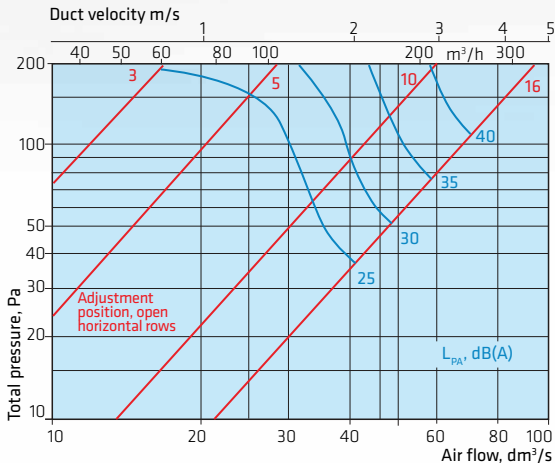
Size	f, Hz	63	125	250	500	1k	2k	4k	8k
TINOi-125	K, dB	-4	1	2	1	-3	-3	-6	-12

Sound attenuation

Size	f, Hz	63	125	250	500	1k	2k	4k	8k
TINOi-125	ΔL, dB	17	11	8	1	8	5	8	9

L_{wokt} = L_{pA} + K

TINOi-160



Sound power level L_{pk}

Size	f, Hz	63	125	250	500	1k	2k	4k	8k
TINOi-160	K, dB	-4	2	2	2	-3	-4	-7	-9

Sound attenuation

Size	f, Hz	63	125	250	500	1k	2k	4k	8k
TINOi-160	ΔL, dB	17	13	7	3	10	7	7	7

L_{wokt} = L_{pA} + K

Airborne sound insulation D, n, e, w, dB

Size	TINOi	TINOi+VAL	TINOi+VAM
100	42	60	62
125	41	60	60
160	41	59	58