

## RSO transfer grille

RSO transfer grille is meant to be installed in a door or on a wall. The distance between the grille and the frame is adjustable in the range of 25-145 mm. If the grille will be installed on a wall with the thickness over 50 mm, the grille must be installed on both sides of the wall.



- **Adjustable frame depth adapts to the thickness of the wall/door.**
- **Minimal pressure level.**
- **No visibility through the transfer grille.**

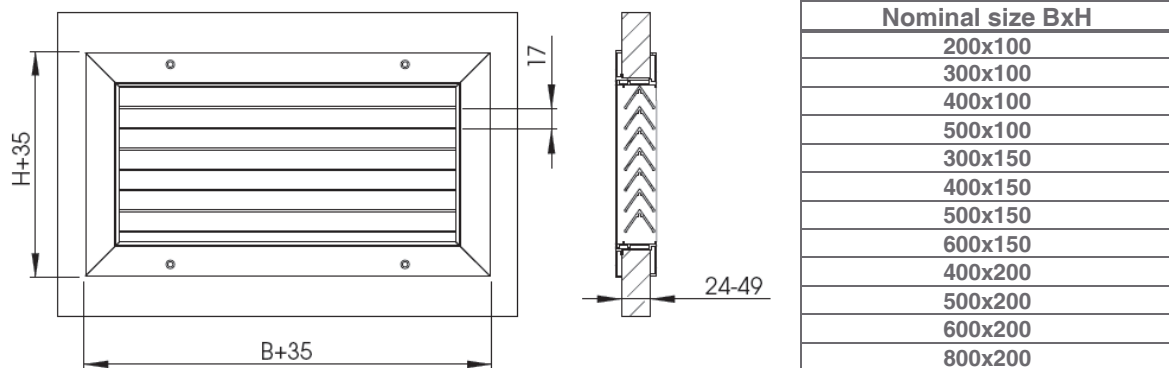
Air moves to adjoining rooms through the transfer grille due to pressure difference.

### Design and sizes

RSO-type of grille and opposite frame are made of aluminium profiles. The V-shaped grille blades are made of aluminium profile.

The nominal sizes of the wall/door opening are B x H.

Standard products are finished with white powder coating (RAL 9010). As a special order grilles can also be painted with any other RAL colour.



### Technical data

If the pressure drop is 10 Pa the noise level is less than 25 dB(A).

### Marking

<b>RSO</b>	<b>B x H</b>	<b>RAL 9010</b>
Symbol	Width x Height	Colour code

**Example: RSO 500x300**

### Installation

RSO grille is installed on a wall or door with screws. The grille is installed on one side of the wall/door and the opposite grille on the other side. When needed, a squared ventilation duct is installed between two grilles. If the thickness of the wall is over 50 mm, the grille must be installed on both sides of the wall.

