

RIS H EKO

NEW!



AHU with heat recovery

Rekuperatoriniai įrenginiai

Centrale wentylacyjne z odzyskiem ciepła

Вентиляционные агрегаты с рекуперацией тепла



AHU with cross-counterflow plate heat exchanger. Air handling units RIS H EKO 3.0 have high efficiency counterflow heat exchanger. AHU is used for ventilation of houses and other heated areas.

- Energy saving and low noise EC fans.
- Efficiency of heat exchanger up to 94%.
- Integrated electrical heater or optional water/DX heating/cooling.
- Controlled air flow.
- Motorizes by-pass damper.
- Anti-freeze protection of the heat exchanger.
- Low noise level.
- Acoustic insulation of the walls – RIS 700 H EKO 3.0 - 30mm and RIS 1200-5500 H EKO 3.0 - 50 mm.
- RIS 700H - 5500 H EKO 3.0 all versions can be controlled with Flex, Stouch and TPC remote control devices.
- Easy mounting.
- Full integrated plug & play control system.
- RIS 1900H - 5500H EKO 3.0 optional SIEMENS Climatic controller.
- Integrated pressure switch for filter pollution (not 700H EKO 3.0).
- Electrical heater control 0 - 10V.
- Optional CO₂ pressure or airflow transmitter.
- RIS 1900H - 5500H EKO 3.0 optional roof and outlet cover.
- RIS 3500H EKO 3.0- delivered in three sections and RIS 5500H EKO 3.0 in two sections.



Urządzenia wentylacyjne RIS H EKO 3.0 wyposażone w wydajny płytowy wymiennik ciepła strumieni przeciwbieżnych. Rekuperatory przeznaczone są do wentylacji ogrzewanych pomieszczeń.

- Energooszczędne i cicho pracujące wentylatory EC.
- Wydajny płytowy wymiennik ciepła strumieni przeciwbieżnych, zwracający do 94% ciepła.
- Zintegrowany grzejnik elektryczny i opcjonalny kanałowy wodno-freonowy grzejnik/schładzacz.
- Zmienny strumień powietrza.
- Sterowanie temperatury dostarczanego powietrza.
- Zasuwa obejściowa z silnikiem.
- Ochrona przeciwwymarzaniowa wymiennika ciepła.
- Niski poziom hałasu.
- Izolacja przeciwhałasowa ścianek – RIS 700H EKO 3.0 - 30 mm i RIS 1200H - 5500 H EKO 3.0 -50 mm.
- RIS 200H - 1900H EKO 3.0 można sterować za pomocą pilotów Flex, Stouch i TPC.
- Szybki i łatwy montaż.
- Przygotowanie „Plug & play” i całkowicie zintegrowana automatyka sterowania
- RIS 1900H - 5500H EKO 3.0 opcjonalnie możliwość zamówienia sterownika SIEMENS Climatic.
- Zintegrowany miernik zanieczyszczenia filtrów (RIS 700H-1900H EKO 3.0).
- Sterowanie grzejnikiem elektrycznym 0-10V.
- Opcjonalny przetwornik CO₂, ciśnienia lub wilgotności
- RIS 1900H - 5500H EKO 3.0 opcjonalnie zamawiany okap i króciec.
- RIS 3500H EKO 3.0 – dostarczany jest w dwóch, a RIS 5500H EKO 3.0 – w trzech sekcjach.



Vėdinimo įrenginiai RIS H EKO 3.0 pagaminti su efektyviu priešpriešinių srautų plokšteliniu šilumokaičiu. Rekuperatoriai montuojami vėdinti šildomas patalpas.









- Energiją taupantys ir tyliai dirbantys EC ventiliatoriai.
- Efektyvus priešpriešinių srautų plokštelinis šilumokaitis, kurio gražinama šiluma iki 94%.
- Integruotas elektrinis šildytuvas ir papildomai komplektuojamas kanalinius vandeninis/freoninis šildytuvas/aušintuvas.
- Keičiamas oro srautas.
- Tiekiamo oro temperatūros valdymas.
- Motorizuota apėjimo sklendė.
- Priešužšaliminė šilumokaičio apsauga.
- Žemas triukšmo lygis.
- Sienulių triukšmo izoliacija – RIS 700 H EKO 3.0 - 30mm and RIS 1200 - 5500 EKO 3.0- 50 mm.
- RIS 700 - 5500 H EKO 3.0 galima valdyti su Flex, Stouch ir TPC pulteliais.
- Greitas ir lengvas montavimas.
- „Plug & play” paruošimas ir pilnai integruota valdymo automatika.
- RIS 1900H - 5500H EKO 3.0 galimybė papildomai užsakyti SIEMENS Climatic valdiklį.
- Integruotas filtrų užterštumo matuoklis (RIS H 700 - 1900 EKO 3.0).
- Elektrinio šildytuvo valdymas 0-10V.
- Papildomai komplektuojamas CO₂, slėgio arba drėgmės keitiklis.
- RIS 1900H - 5500H EKO 3.0 papildomai užsakomas stogas ir atvamzdis.
- RIS 3500H EKO 3.0 - tiekiamas trejomis, RIS 5500H EKO 3.0 dvejomis sekcijomis.



Установки с рекуперацией тепла RIS H EKO 3.0 очищают, нагревают и подают свежий воздух. Установки RIS EKO H EKO 3.0 извлекают тепло у выходящего воздуха и передают его поступающему воздуху.

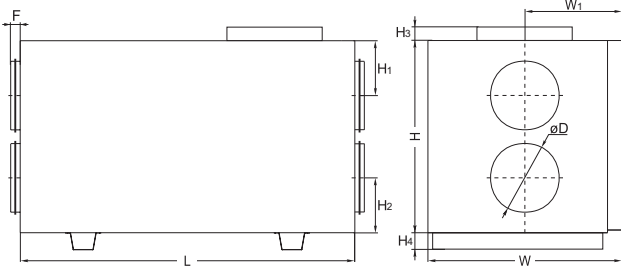
- Экономные и бесшумные вентиляторы EC.
- Пластинчатый теплообменник, эффективность теплоотдачи до 94%.
- Встроенные электрический нагреватель или как опция водяной/DX отопление/охлаждение.
- Регулируемый воздушный поток.
- Регулируемая температура приточного воздуха.
- Защита теплообменника от замерзания.
- Низкий уровень шума.
- Акустическая изоляция стенок - RIS 700H EKO 3.0 - 30мм, RIS 1200H - 5500 H EKO 3.0- 50мм.
- RIS 700H - 5500 H EKO 3.0 с интегрированными возможностями управления с помощью пультов Flex, Stouch и TPC.
- Легко и быстро монтируются.
- Интегрированная полная система управления агрегата „plug & play”.
- RIS 1900H - 5500H EKO 3.0 – опция SIEMENS Climatic контроллер.
- Установлен датчик давления для фильтра загрязнения.
- Контроль электрического нагревателя 0 - 10 V.
- Опциональная контроль: CO₂, давление в системе и датчик приточного воздуха.
- RIS 1900H - 5500H EKO 3.0 опция козырька и крышка розетки.
- RIS 3500H EKO 3.0 – разделяя на 3 секции и RIS 5500H на 2 секции. EKO 3.0.

Accessories

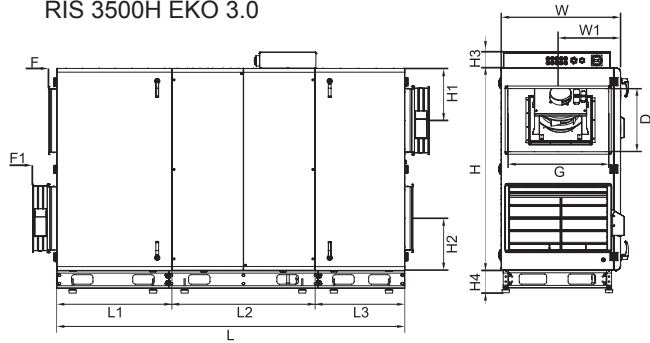
Control panel	Sensor controller	Programmable controller	Pressure transmitter	CO2 sensors	Duct humidity sensor	Circular duct silencer	Heating coil
							
Flex p. 178	Stouch p. 179	TPC p. 180	1141 p. 181	RC02-F2 p. 182	KFF-U p. 183	AKS p. 230	AVS p. 192

RIS H EKO

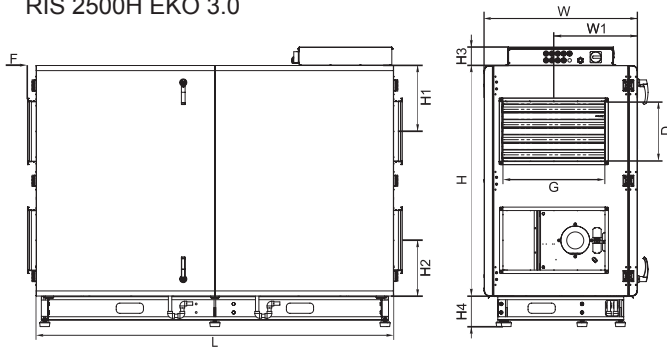
RIS 700H EKO 3.0 - RIS 1200H EKO 3.0
and RIS 1900H EKO 3.0



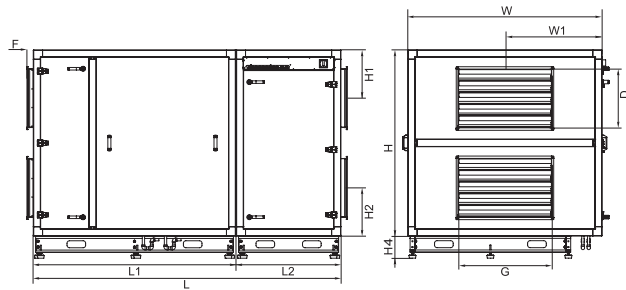
RIS 3500H EKO 3.0



RIS 2500H EKO 3.0



RIS 5500H EKO 3.0



RIS 1200 H W EKO 3.0



- Equipped with new PRV V2.2 control board
- AHU with EC motors and efficient cross - counter flow heat exchanger
- Heater type (E - integrated electrical heater; W - optional water heater)
- Housing type (V - vertical, H - horizontal, P - under - ceiling)
- AHU size according to air flow range m³/h
- AHU with plate heat-exchanger

Type	Dimensions [mm]															
	L	L ₁	L ₂	L ₃	W	W ₁	øD	G	D	H	H ₁	H ₂	H ₃	H ₄	F	F ₁
RIS 700HE/HW EKO 3.0	1200	-	-	-	670	335	250	-	-	780	210	210	65	126	40	-
RIS 1200HE/HW EKO 3.0	1500	-	-	-	760	380	315	-	-	1000	269	269	70	141	40	-
RIS 1900HE/HW EKO 3.0	1800	-	-	-	800	400	400	-	-	1245	331	331	106	141	70	-
RIS 2500HE/HW EKO 3.0	2100	-	-	-	900	490	-	600	350	1355	387	327	108	180	50	-
RIS 3500HE/HW EKO 3.0	2756	909	1132	709	946	494	-	800	500	1600	413	413	129	180	65	192
RIS 5500HE/HW EKO 3.0	2644	1740	900	-	1670	835	-	800	500	1600	415	415	-	180	55	-

Accessories

Circular duct water cooler AVA p. 202	Mounting clamp AP p. 229	Shuff-off damper SKG p. 226	Actuator for dampers SP p. 188	Thermic water valve actuator SSB p. 184	Mixing point RMG p. 185	2 and 3 way valves VVP/VXP p. 186	Water heater coil SVS p. 198
--	-----------------------------	--------------------------------	-----------------------------------	--	----------------------------	--------------------------------------	---------------------------------

RIS H EKO

Type	Accessories						
	Flex Stouch TPC	1141 RC02-F2 KFF-U	AKS SKG AP	SKS SVS	AVA	AVS	SP
RIS 700HE EKO 3.0	+	+	250	-	250	250	LM230A-TP
RIS 700HW EKO 3.0	+	+	250	-	250	250	TF230
RIS 1200HE EKO 3.0	+	+	315	-	315	315	LM230A-TP
RIS 1200HW EKO 3.0	+	+	315	-	315	315	LF230
RIS 1900HE EKO 3.0	+	+	400	-	400	400	SM230A-TP
RIS 1900HW EKO 3.0	+	+	400	-	400	400	SF230A
RIS 2500HE EKO 3.0	+	+	-	600x350	-	-	int
RIS 2500HW EKO 3.0	+	+	-	600x350	-	-	int
RIS 3500HE EKO 3.0	+	+	-	800x500	-	-	int
RIS 3500HW EKO 3.0	+	+	-	800x500	-	-	int
RIS 5500HE EKO 3.0	+	+	-	800x500	-	-	int
RIS 5500HW EKO 3.0	+	+	-	800x500	-	-	int

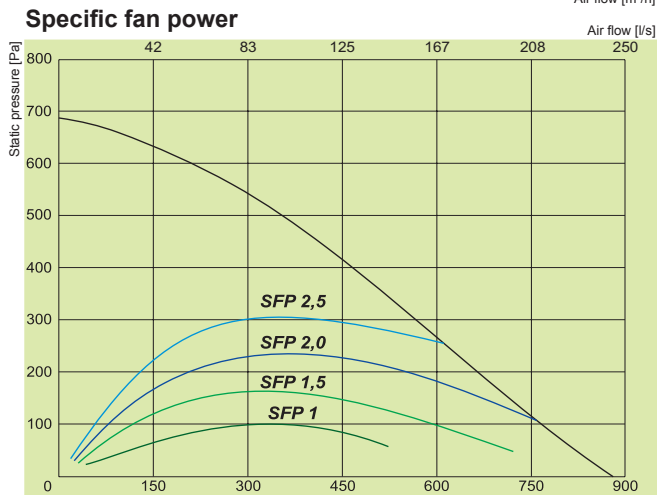
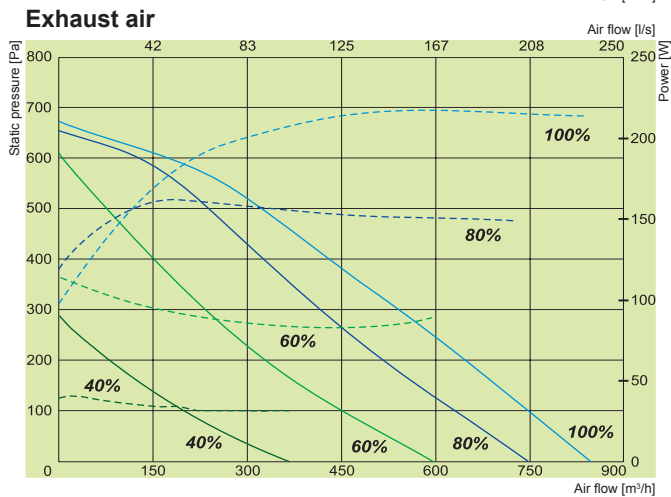
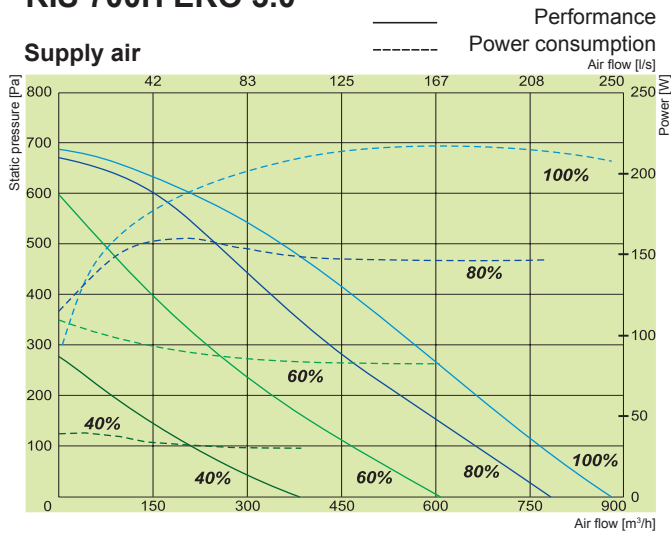
If ordering RIS 1900-5500HW EKO 3.0 and SVS/AVS must be ordered water sensor (TJP 10K) and duct thermostat (C04C)
int - already integrated into the unit

Type	Accessories							
	SSB Heating	SSB Cooling	RMG 80/60°C	RMG 60/40°C	VVP/VXP 80/60°C	VVP/VXP 60/40°C	Comfort Box	Roof Outlet cover
RIS 700HE EKO 3.0	-	81	-	-	-	-	-	-
RIS 700HW EKO 3.0	61	81	3-1,0-4	3-0,63-4	45.10-1,1	45.10-0,63	-	-
RIS 1200HE EKO 3.0	-	81	-	-	-	-	-	-
RIS 1200HW EKO 3.0	61	81	3-0,63-4	3-0,63-4	45.10-0,63	45.10-0,63	-	-
RIS 1900HE EKO 3.0	-	81	Heaters, coolers and RMG/VVP/VXP data online selection program: www.salda.it				400	+
RIS 1900HW EKO 3.0	61	81					400	+
RIS 2500HE EKO 3.0	-	81					600x350	+
RIS 2500HW EKO 3.0	61	81					600x350	+
RIS 3500HE EKO 3.0	-	81					800x500	+
RIS 3500HW EKO 3.0	61	81					800x500	+
RIS 5500HE EKO 3.0	-	81					800x500	+
RIS 5500HW EKO 3.0	61	81					800x500	+

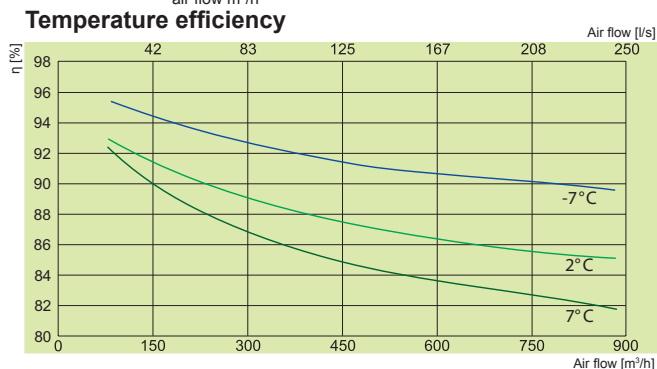
Accessories



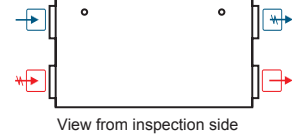
RIS 700H EKO 3.0



$$SFP = \frac{\text{total power for supply \& exhaust fans kW}}{\text{air flow m}^3/\text{h}} \times 3600$$



RIS 700H EKO 3.0
(convertible) ver.



Exhaust air Extract air Fresh air Supply air

Article No.	Version
GAGRIS1791_0036A	700HE EKO 3.0 Integrated electrical heater.
GAGRIS1972_0037A	700HW EKO 3.0 Optional water heater.

700HE / HW EKO 3.0

Water heater (optional) HW ver.	AVS 315
Electrical heater HE ver.	phase/voltage [50Hz/VAC] ~1, 230
	[kW] 1,2
EC fans	phase/voltage [50Hz/VAC] ~1, 230
exhaust	power/current [kW/A] 0,21 /1,6
	fan speed [min ⁻¹] 2930
supply	power/current [kW/A] 0,23 /1,7
	fan speed [min ⁻¹] 2930
Thermal efficiency up to*	90%
Motorized by-pass	+
Max power consumption	[kW/A] 1,64 /8,51 0,44 /3,30
Control board	PRV V2.2
Filter class	exhaust/supply M5/M5
Housing insulation, mineral wool	[mm] 50
Colour	RAL white 9016
Weight (net, without packing)	[kg] 105
Comply with ERP	2013; 2015
Operation	indoors
Fresh air temperature limits**	°C -5 - +40
Housing protection class	IP 34

* Calculated according EN 13141-7.

**For temperatures lower than recommended use electrical pre-heater to ensure balanced operation.

700HE EKO 3.0	Lwa total, dB(A)	LWA, dB(A)						
		125 Hz	250 Hz	500 Hz	1 kHz	2 kHz	4 kHz	8 kHz
Supply	73	65	67	65	64	66	63	54
Extract	61	54	55	57	49	46	41	40
Surrounding	56	45	49	54	45	43	40	37

Measured at 760 m³/h, 101 Pa

Temperature efficiency (balanced mass flow) EN 13141-7:
Extract air = 20°C/60%RH
Outdoor air = -7°C / 2°C / 7°C

Certifications

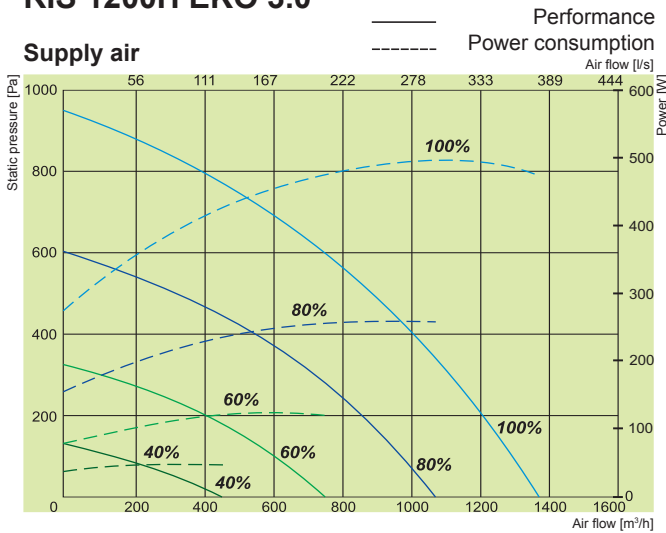
EUROVENT certified counter flow heat exchanger performance



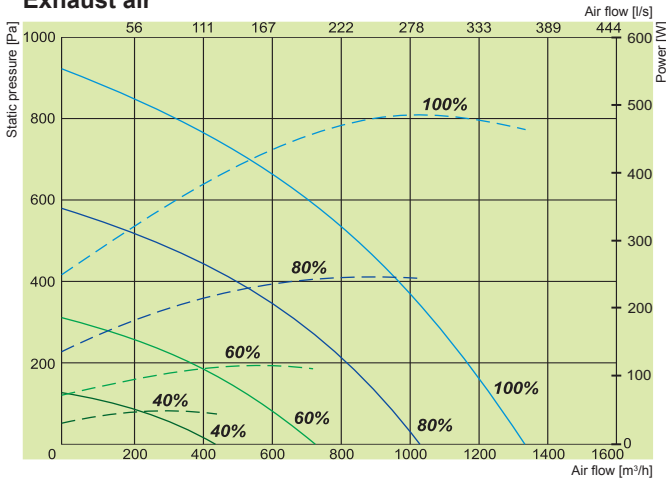
RIS H EKO

RIS 1200H EKO 3.0

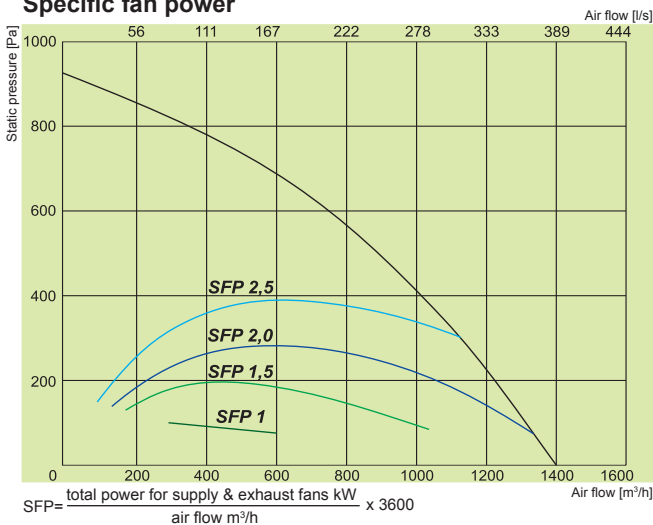
Supply air



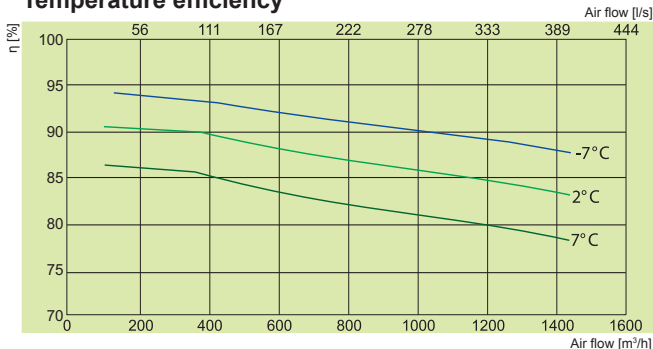
Exhaust air



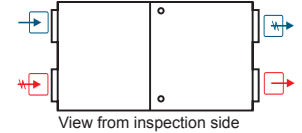
Specific fan power



Temperature efficiency



RIS 1200H EKO 3.0 (convertible) ver.



➔ Exhaust air
 ➔ Extract air
 ➔ Fresh air
 ➔ Supply air

Article No.	Version
GAGRIS1740_0006A	1200HE EKO 3.0 Integrated electrical heater.
GAGRIS1767_0030A	1200HW EKO 3.0 Optional water heater.

1200HE / HW EKO 3.0

Water heater (optional) HW ver.	AVS 315
Electrical heater HE ver.	phase/voltage [50Hz/VAC] ~1, 230
	[kW] 2.0
EC fans	phase/voltage [50Hz/VAC] ~1, 230
exhaust	power/current [kW/A] 0,42 / 2,72
	fan speed [min ⁻¹] 3400
supply	power/current [kW/A] 0,4 / 2,61
	fan speed [min ⁻¹] 3400
Thermal efficiency up to*	90%
Motorized by-pass	+
Max power consumption HE/HW	[kW/A] 2,82/14,07 0,82 / 5,37
Control board	PRV V2.2
Filter class	exhaust/supply M5/F7
Housing insulation, mineral wool	[mm] 50
Colour	RAL grey 7040
Weight (net, without packing) HE/HW	[kg] 184
Comply with ERP	2013; 2015
Operation	indoors/outdoors
Fresh air temperature limits**	°C -5 - +40
Housing protection class	IP 34

* Calculated according EN 13141-7.

**For temperatures lower than recommended use electrical pre-heater to ensure balanced operation.

1200H EKO 3.0	Lwa total, dB(A)	LWA, dB(A)						
		125 Hz	250 Hz	500 Hz	1 kHz	2 kHz	4 kHz	8 kHz
Supply	75	62	65	71	70	65	63	53
Extract	57	51	49	52	51	45	40	32
Surrounding	53	44	43	48	47	43	40	33

Measured at 1271 m³/h, 119 Pa

Temperature efficiency (balanced mass flow) EN 13141-7:
 Extract air = 20°C/60%RH
 Outdoor air = -7°C / 2°C / 7°C

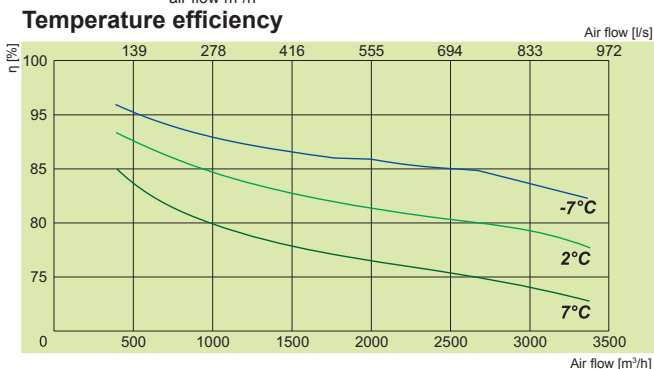
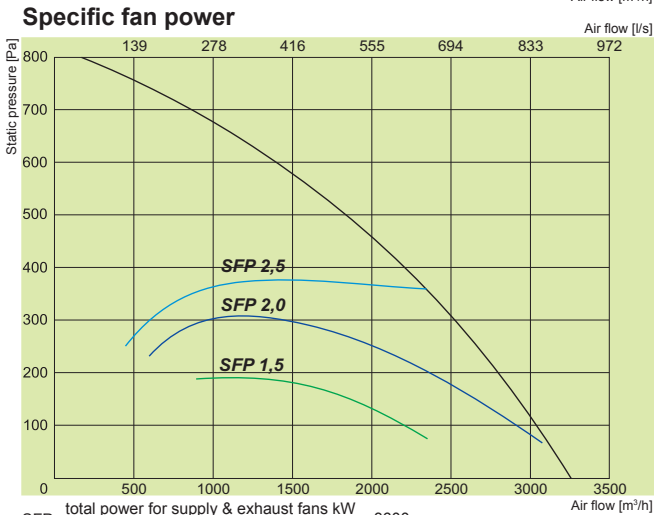
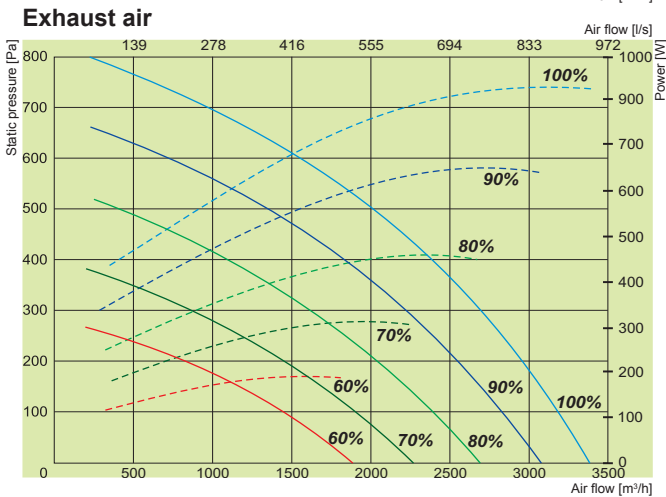
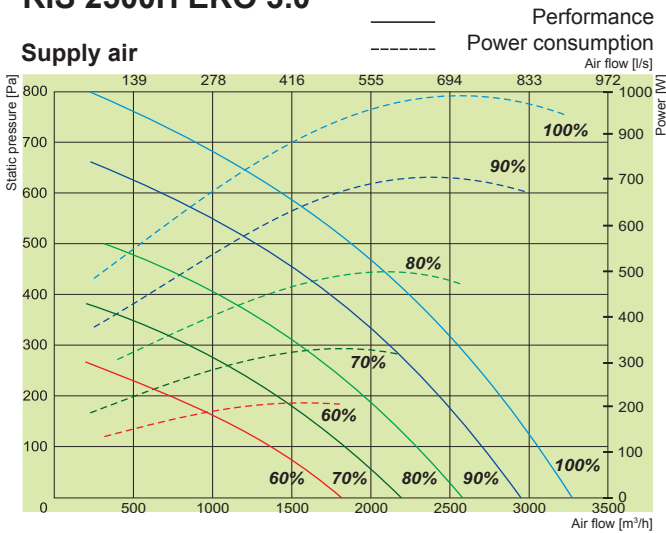
Certifications

EUROVENT certified counter flow heat exchanger performance

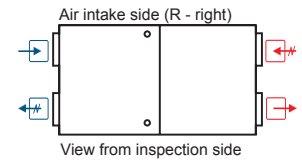


RIS H EKO

RIS 2500H EKO 3.0



RIS 2500HR EKO



Exhaust air Extract air Fresh air Supply air

Article No.	Version
GAGRIS1793_0031B	2500HER EKO 3.0 Right-hand maintenance version with integrated electrical heater.
GAGRIS1794_0032A	2500HWR EKO 3.0 Right-hand maintenance version prepared for optional water heater.

2500HE / HW EKO 3.0

Water heater (optional) HW ver.	SVS / Comfort Box 600x350		
Electrical heater HE ver.	phase/voltage [50Hz/VAC]	~3, 400	
		[kW]	3,6
EC fans	phase/voltage [50Hz/VAC]	~1, 230	
exhaust	power/current [kW/A]	1,0/4,47	
	fan speed [min ⁻¹]	2200	
supply	power/current [kW/A]	0,88/3,92	
	fan speed [min ⁻¹]	2200	
Thermal efficiency up to*	90%		
Motorized by-pass	+		
Max power consumption HE/HW	[kW/A]	5,5/13,69	1,89/8,49
Control board	PRV V2.2		
Filter class	exhaust/supply	M5/F7	
Housing insulation, mineral wool	[mm]	50	
Colour	RAL	grey	7040
Weight (net, without packing)	[kg]	390	
Comply with ERP	2013; 2015		
Operation	indoors/outdoors		
Fresh air temperature limits**	°C	-5 - +40	
Housing protection class	IP	34	

* Calculated according EN 13141-7.

**For temperatures lower than recommended use electrical pre-heater to ensure balanced operation.

2500H EKO 3.0	Lwa total, dB(A)	LWA, dB(A)						
		125 Hz	250 Hz	500 Hz	1 kHz	2 kHz	4 kHz	8 kHz
Supply	83	65	73	75	78	79	71	61
Extract	65	57	61	59	56	54	49	39
Surrounding	62	45	57	58	55	52	44	36

Measured at 2976 m³/h, 121 Pa

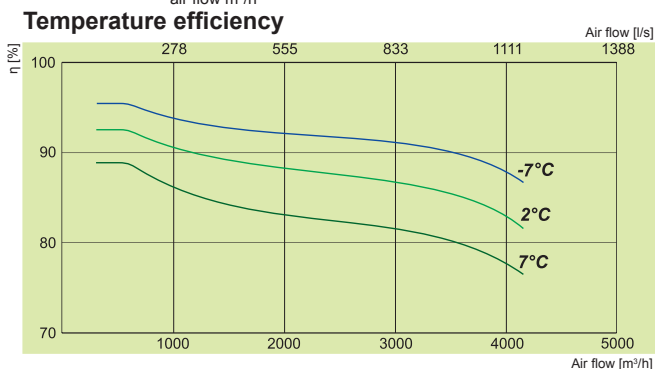
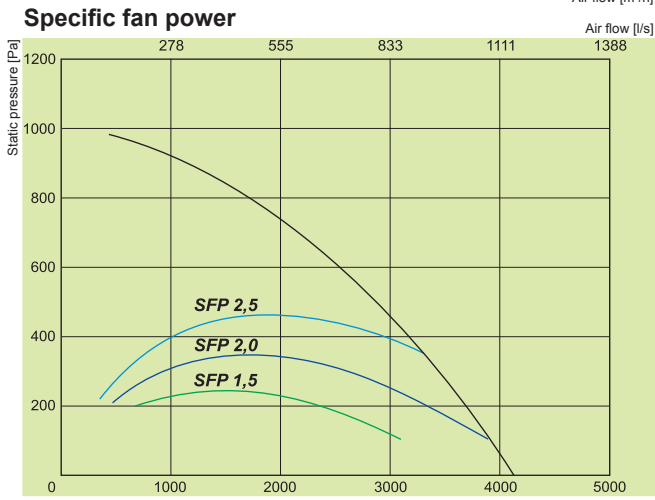
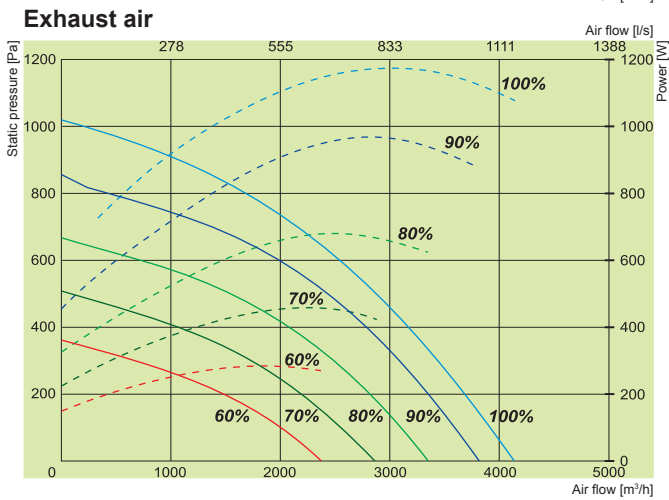
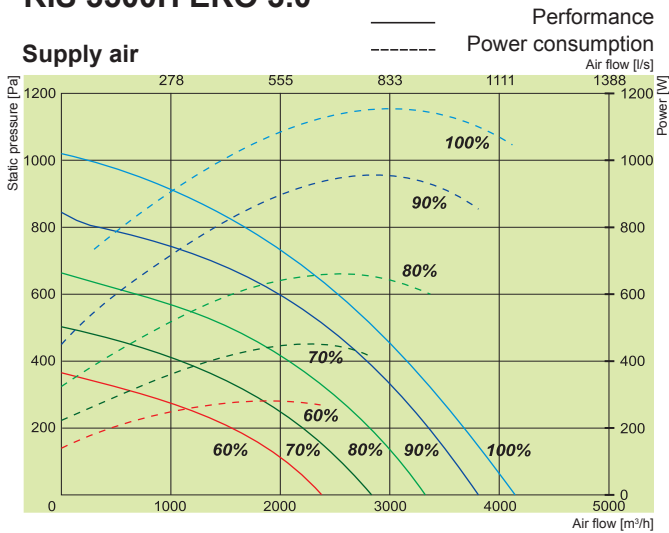
Temperature efficiency (balanced mass flow) EN 13141-7:
Extract air = 20°C/60%RH
Outdoor air = -7°C / 2°C / 7°C

Certifications

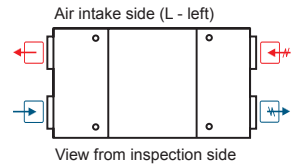
EUROVENT certified counter flow heat exchanger performance



RIS 3500H EKO 3.0



RIS 3500HL EKO 3.0



↔ Exhaust air
 ↔ Extract air
 ↔ Fresh air
 ↔ Supply air

Article No.	Version
GAGRIS1781_0052B	3500HEL EKO 3.0 Left-hand maintenance version with integrated electrical heater.
GAGRIS1782_0053A	3500HWL EKO 3.0 Left-hand maintenance version prepared for optional water heater.

3500HE / HW EKO 3.0

Water heater (optional) HW ver.	SVS / Comfort Box 800x500	
Electrical heater HE ver.	phase/voltage [50Hz/VAC]	~3, 400
	[kW]	6,0
EC fans	phase/voltage [50Hz/VAC]	~1, 230
exhaust	power/current [kW/A]	1,173 /5,43
	fan speed [min ⁻¹]	2390
supply	power/current [kW/A]	1,16 /5,4
	fan speed [min ⁻¹]	2390
Thermal efficiency up to*	90%	
Motorized by-pass	+	
Max power consumption HE / HW	[kW/A]	8,34 /19,59 2,34 /10,95
Control board	PRV V2.2	
Filter class	exhaust/supply	M5/F7
Housing insulation, mineral wool	[mm]	50
Colour	RAL grey	7040
Weight (net, without packing)	[kg]	627
Comply with ERP	2013; 2015	
Operation	indoors/outdoors	
Fresh air temperature limits**	°C	-5 - +40
Housing protection class	IP	34

* Calculated according EN 13141-7.

**For temperatures lower than recommended use electrical pre-heater to ensure balanced operation.

3500H EKO 3.0	Lwa total, dB(A)	LWA, dB(A)						
		125 Hz	250 Hz	500 Hz	1 kHz	2 kHz	4 kHz	8 kHz
Supply	86	68	82	78	80	77	70	68
Extract	72	66	66	65	64	58	49	45
Surrounding	69	59	65	62	62	59	52	58

Measured at 3746 m³/h, 181 Pa

Temperature efficiency (balanced mass flow) EN 13141-7:
Extract air = 20°C/60%RH
Outdoor air = -7°C / 2°C / 7°C

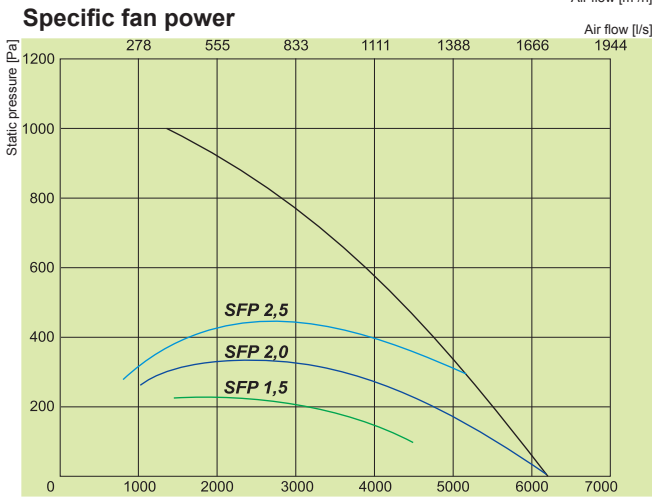
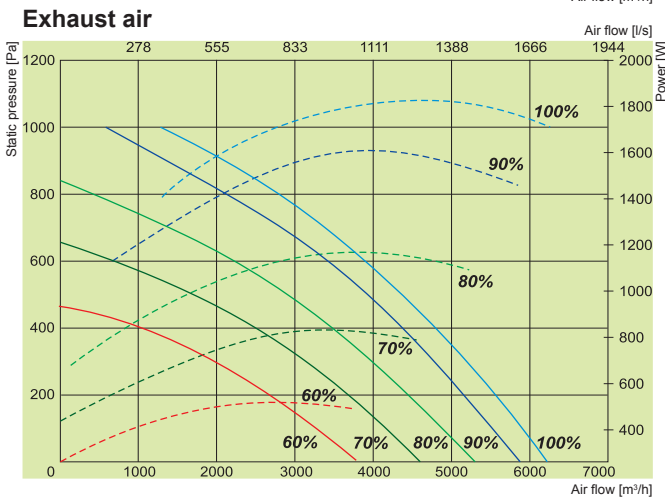
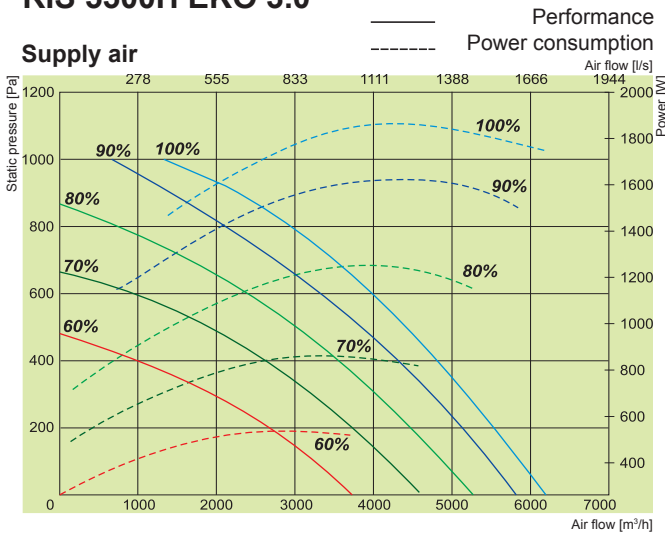
Certifications

EUROVENT certified counter flow heat exchanger performance

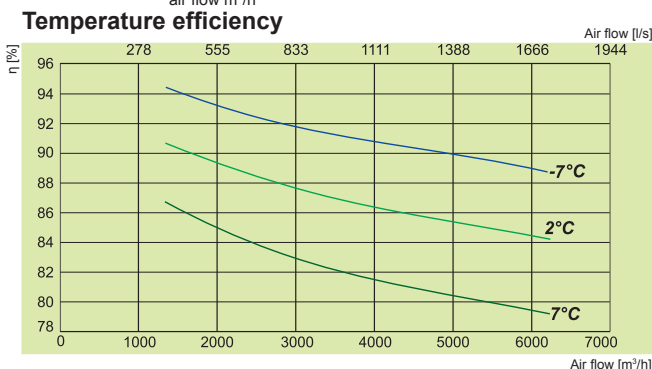


RIS H EKO

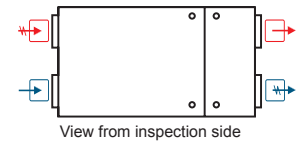
RIS 5500H EKO 3.0



$$SFP = \frac{\text{total power for supply \& exhaust fans kW}}{\text{air flow m}^3/\text{h}} \times 3600$$



RIS 5500HR EKO 3.0
Air intake side (R - right)



Article No.	Version
GAGRIS1773_0054B	5500HER EKO 3.0 Right-hand maintenance version with integrated electrical heater.
GAGRIS1774_0055B	5500HWR EKO 3.0 Right-hand maintenance version prepared for optional water heater.

5500HE / HW EKO 3.0

Water heater (optional) HW ver.	SVS / Comfort Box 800x500	
Electrical heater HE ver.	phase/voltage [50Hz/VAC]	~3, 400
	[kW]	12
EC fans	phase/voltage [50Hz/VAC]	~3, 400
exhaust	power/current [kW/A]	1,84/2,88
	fan speed [min ⁻¹]	2180
supply	power/current [kW/A]	1,87/3,06
	fan speed [min ⁻¹]	2180
Thermal efficiency up to*	90%	
Motorized by-pass	+	
Max power consumption HE/HW	[kW/A] 15,71/23,38	3,72/6,04
Control board	PRV V2.2	
Filter class	exhaust/supply	M5/F7
Housing insulation, mineral wool	[mm]	70
Colour	RAL	grey 7040
Weight (net, without packing) HE / HW	[kg]	788 768
Comply with ERP	2013; 2015	
Operation	indoors/outdoors	
Fresh air temperature limits**	°C	-5 - +40
Housing protection class	IP	34

* Calculated according EN 13141-7.

**For temperatures lower than recommended use electrical pre-heater to ensure balanced operation.

5500HW EKO 3.0	Lwa total, dB(A)	LWA, dB(A)						
		125 Hz	250 Hz	500 Hz	1 kHz	2 kHz	4 kHz	8 kHz
Supply	88	65	82	81	83	81	78	69
Extract	75	64	72	70	66	60	55	50
Surrounding	77	54	71	72	71	68	65	58

Measured at 5819 m³/h, 120 Pa

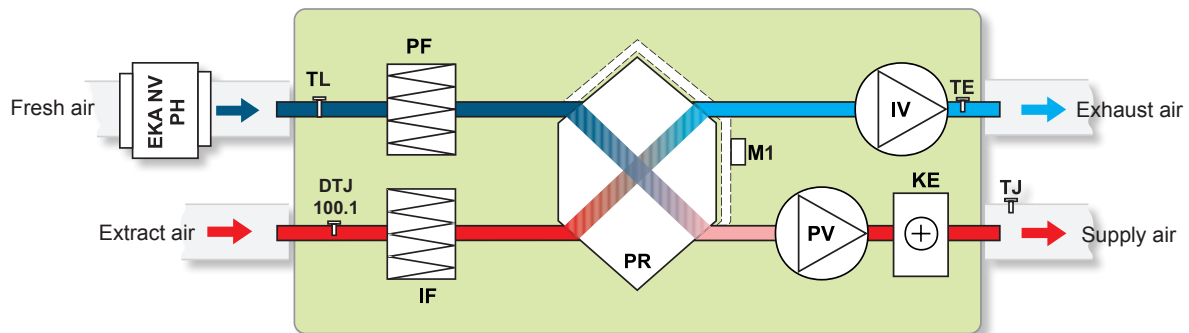
Temperature efficiency (balanced mass flow) EN 13141-7:
Extract air = 20°C/60%RH
Outdoor air = -7°C / 2°C / 7°C

Certifications

EUROVENT certified counter flow heat exchanger performance



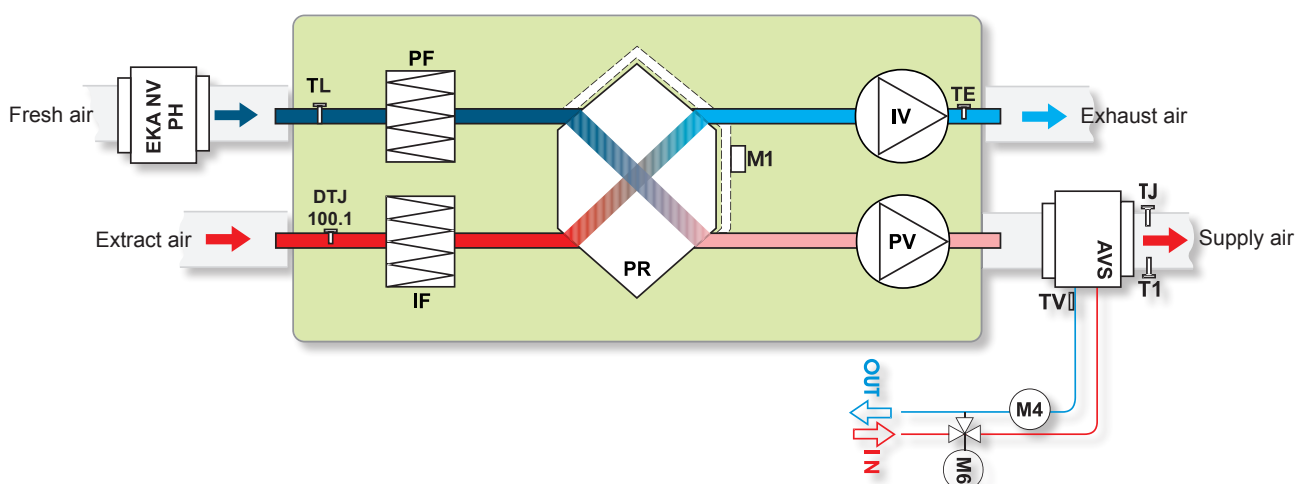
RIS 700HE EKO 3.0 version with electrical heater



- IV** - exhaust air fan
- PV** - supply air fan
- PR** - plate heat exchanger
- KE** - electrical heater
- PF** - filter for supply air (class M5)
- IF** - filter for extract air (class M5)

- TJ** - temperature sensor for supply air
- TL** - temperature sensor for fresh air
- TE** - temperature sensor for exhaust air
- M1** - actuator of by-pass damper
- DTJ 100.1** - humidity + temperature sensor
- EKA NV PH** - fresh air pre-heater

RIS 700HW EKO 3.0 version with optional water heater

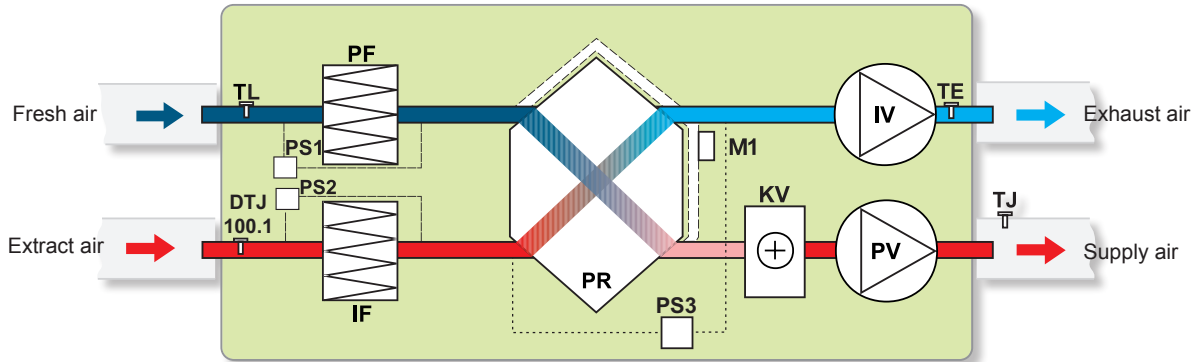


- AVS** - optionally supplied water heater
- IV** - exhaust air fan
- PV** - supply air fan
- PR** - plate heat exchanger
- PF** - filter for supply air (class M5)
- IF** - filter for extract air (class M5)
- TJ** - temperature sensor for supply air
- TL** - temperature sensor for fresh air
- TE** - temperature sensor for exhaust air

- TV** - antifrost sensor
- T1** - antifrost thermostat
- DTJ 100.1** - humidity + temperature sensor
- M1** - actuator of by-pass damper
- M6** - optionally supplied mixing valve and motor
- M4** - water heater circulator pump
- EKA NV PH** - fresh air pre-heater

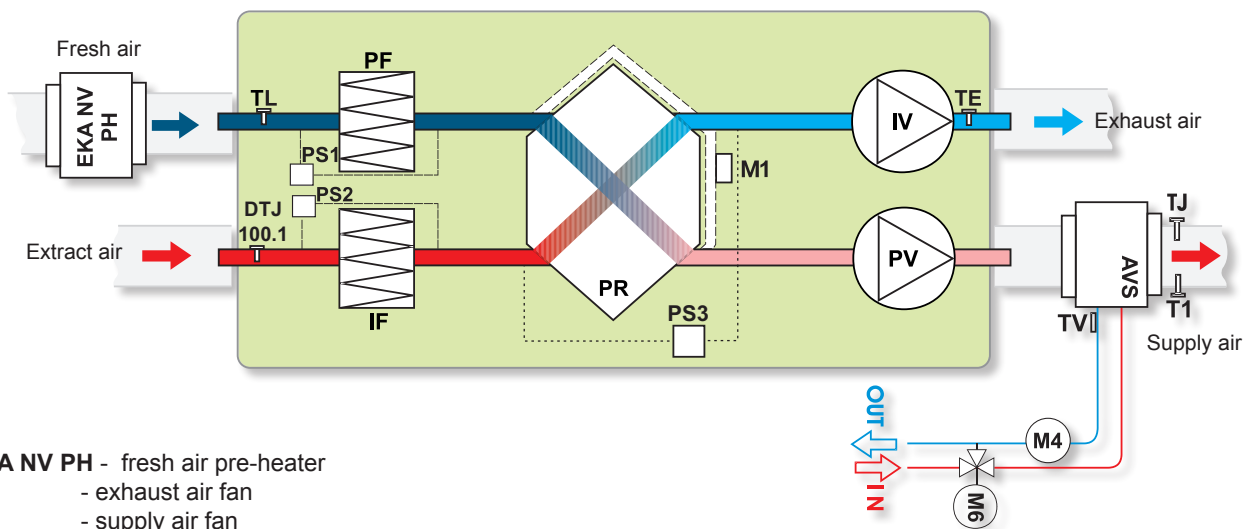
RIS H EKO

RIS 1200HE EKO 3.0 version with electrical heater



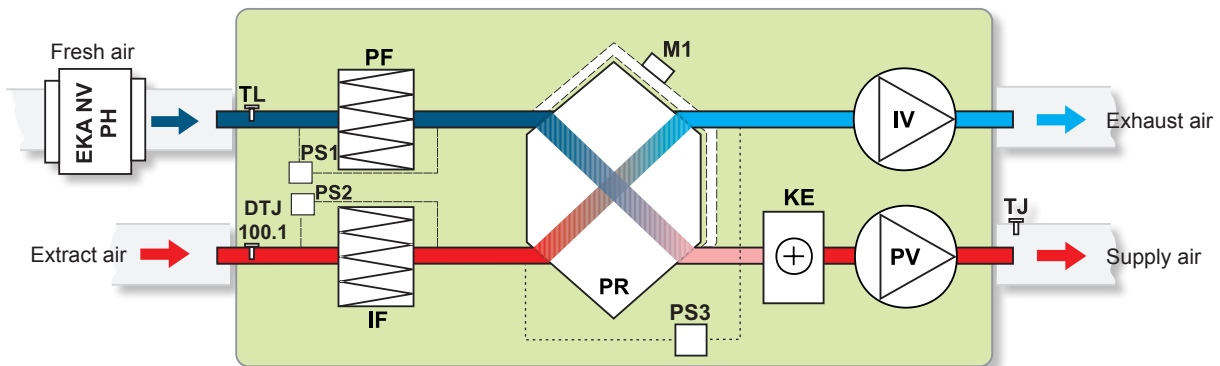
- | | | | |
|-----------|--------------------------------------|------------------|--|
| IV | - exhaust air fan | TJ | - temperature sensor for supply air |
| PV | - supply air fan | TL | - temperature sensor for fresh air |
| PR | - plate heat exchanger | M1 | - actuator of by-pass damper |
| KE | - electrical heater | PS1 | - supply air differential pressure switch |
| TE | - temperature sensor for exhaust air | PS2 | - extract air differential pressure switch |
| PF | - filter for supply air (class F7) | PS3 | - heat exchanger antifrost pressure switch |
| IF | - filter for extract air (class M5) | DTJ 100.1 | - humidity + temperature sensor |

RIS 1200HW EKO 3.0 version with water heater



- | | | | |
|------------------|--|------------------|--|
| EKA NV PH | - fresh air pre-heater | TL | - temperature sensor for fresh air |
| IV | - exhaust air fan | TV | - antifrost sensor |
| PV | - supply air fan | T1 | - antifrost thermostat |
| PR | - plate heat exchanger | M1 | - actuator of by-pass damper |
| AVS | - water heater | PS1 | - supply air differential pressure switch |
| PF | - filter for supply air (class M5) | PS2 | - extract air differential pressure switch |
| IF | - filter for extract air (class M5) | PS3 | - heat exchanger antifrost pressure switch |
| TJ | - temperature sensor for supply air | DTJ 100.1 | - humidity + temperature sensor |
| M6 | - optionally supplied mixing valve and motor | | |
| M4 | - water heater circulator pump | | |
| TE | - temperature sensor for exhaust air | | |

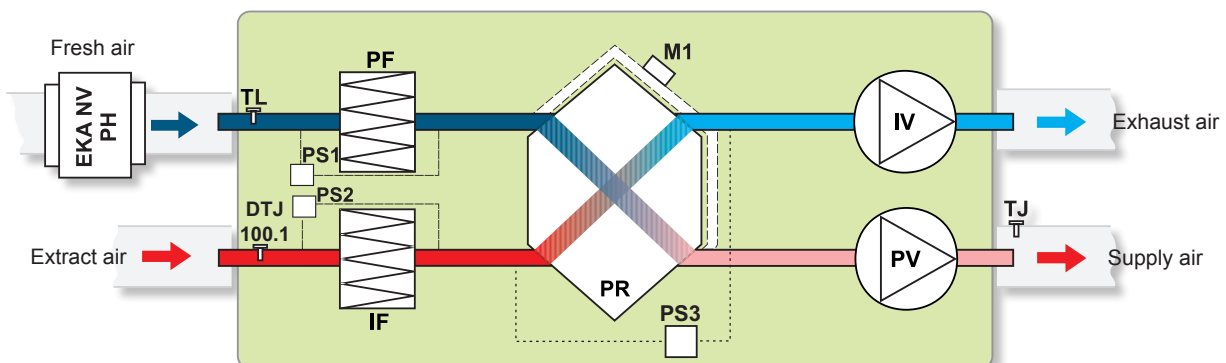
RIS 1900HE EKO 3.0 version with electrical heater



EKA NV PH - fresh air pre-heater
IV - exhaust air fan
PV - supply air fan
PR - plate heat exchanger
KE - electrical heater
PF - filter for supply air (class F7)
IF - filter for extract air (class M5)

TL - temperature sensor for fresh air
TJ - temperature sensor for supply air
M1 - actuator of by-pass damper
PS1 - supply air differential pressure switch
PS2 - extract air differential pressure switch
PS3 - heat exchanger antifrost pressure switch
DTJ 100.1 - humidity + temperature sensor

RIS 1900HW EKO 3.0 version with optional water heater

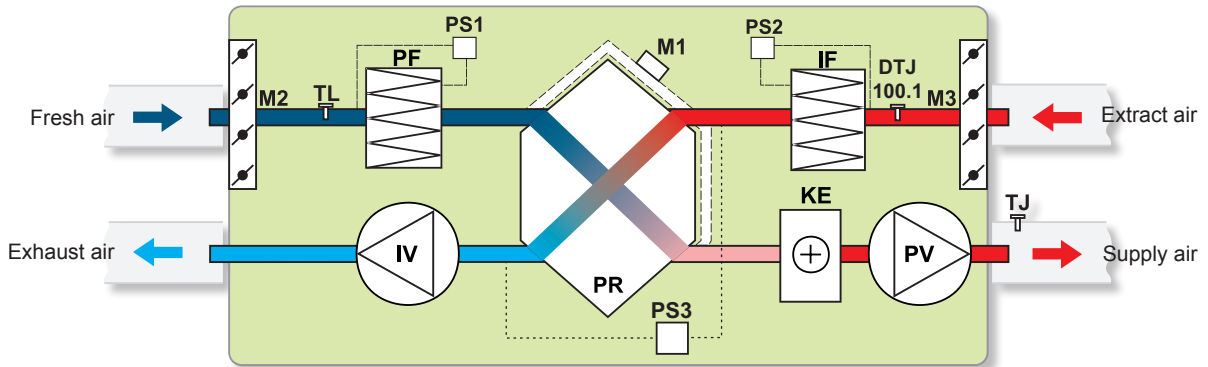


EKA NV PH - fresh air pre-heater
IV - exhaust air fan
PV - supply air fan
PR - plate heat exchanger
PF - filter for supply air (class F7)
IF - filter for extract air (class M5)

TL - temperature sensor for fresh air
TJ - temperature sensor for supply air
M1 - actuator of by-pass damper
PS1 - supply air differential pressure switch
PS2 - extract air differential pressure switch
PS3 - heat exchanger antifrost pressure switch
DTJ 100.1 - humidity + temperature sensor

RIS H EKO

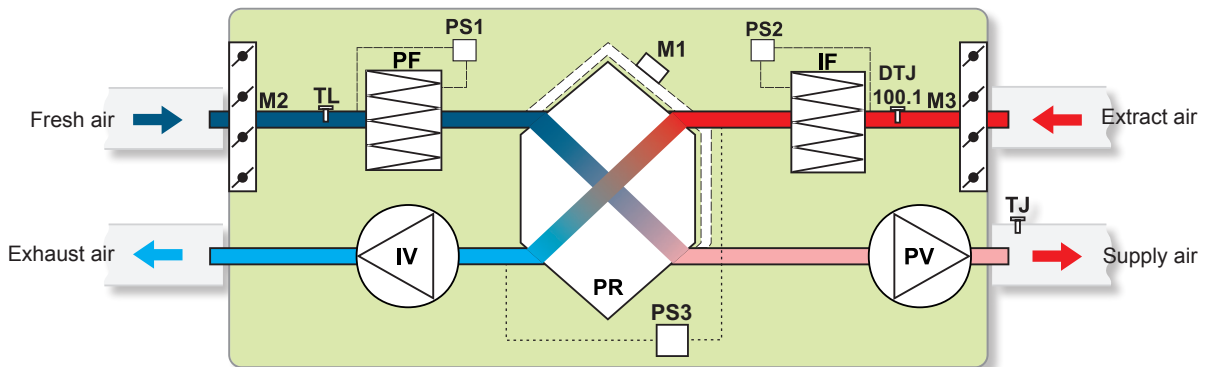
RIS 2500HE EKO 3.0 version with electrical heater



- IV** - exhaust air fan
- PV** - supply air fan
- PR** - plate heat exchanger
- KE** - electrical heater
- PF** - filter for supply air (class F7)
- IF** - filter for extract air (class M5)
- DTJ 100.1** - humidity + temperature sensor

- TL** - temperature sensor for fresh air
- TJ** - temperature sensor for supply air
- M1** - actuator of by-pass damper
- M2** - actuator of fresh air damper
- M3** - actuator of extract air damper
- PS1** - supply air differential pressure switch
- PS2** - extract air differential pressure switch
- PS3** - heat exchanger antifrost pressure switch

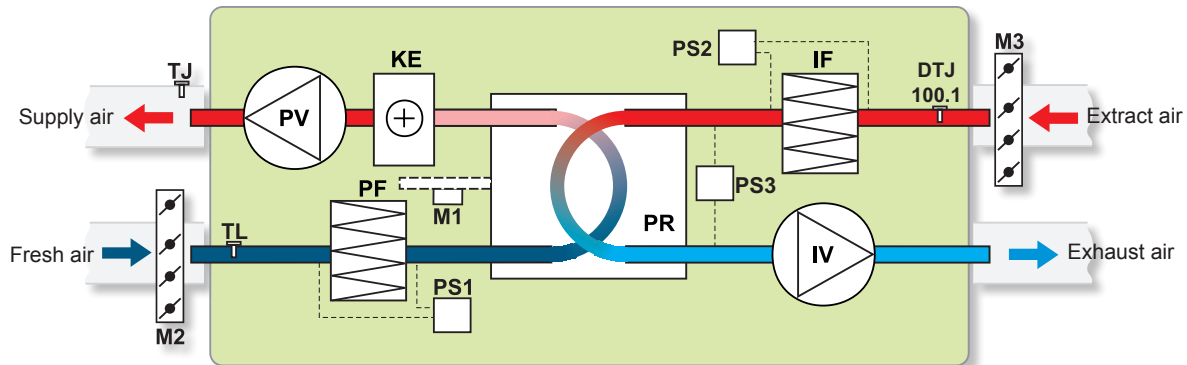
RIS 2500HW EKO 3.0 version with optional water heater



- IV** - exhaust air fan
- PV** - supply air fan
- PF** - filter for supply air (class F7)
- IF** - filter for extract air (class M5)
- PR** - plate heat exchanger
- DTJ 100.1** - humidity + temperature sensor
- TL** - temperature sensor for fresh air

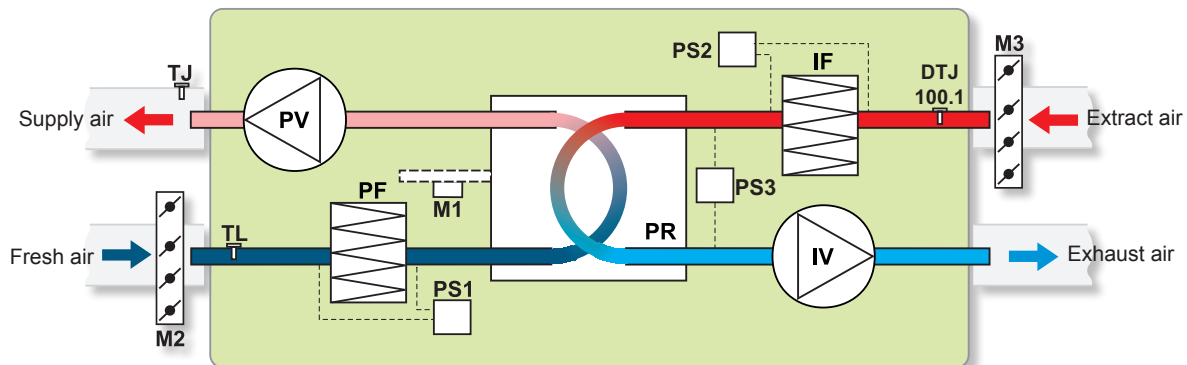
- TJ** - temperature sensor for supply air
- M1** - actuator of by-pass damper
- M2** - actuator of fresh air damper
- M3** - actuator of extract air damper
- PS1** - supply air differential pressure switch
- PS2** - extract air differential pressure switch
- PS3** - heat exchanger antifrost pressure switch

RIS 3500HE EKO 3.0 version with electrical heater



- | | | | |
|------------------|-------------------------------------|------------|--|
| IV | - exhaust air fan | TJ | - temperature sensor for supply air |
| PV | - supply air fan | M1 | - actuator of by-pass damper |
| PR | - plate heat exchanger | M2 | - actuator of fresh air damper |
| KE | - electrical heater | M3 | - actuator of extract air damper |
| PF | - filter for fresh air (class F7) | PS1 | - supply air differential pressure switch |
| IF | - filter for extract air (class M5) | PS2 | - extract air differential pressure switch |
| DTJ 100.1 | - humidity + temperature sensor | PS3 | - heat exchanger antifrost pressure switch |
| TL | - temperature sensor for fresh air | | |

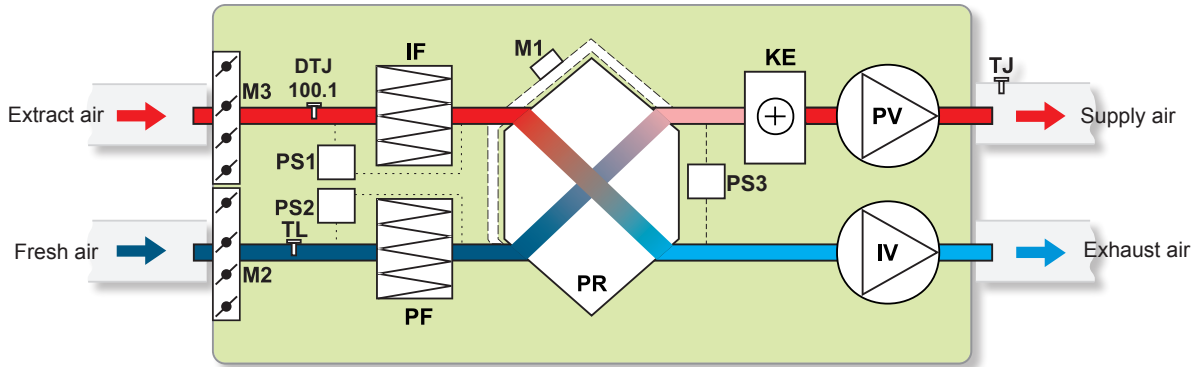
RIS 3500HW EKO 3.0 version with optional water heater



- | | | | |
|------------------|-------------------------------------|------------|--|
| IV | - exhaust air fan | TJ | - temperature sensor for supply air |
| PV | - supply air fan | M1 | - actuator of by-pass damper |
| PR | - plate heat exchanger | M2 | - actuator of fresh air damper |
| PF | - filter for supply air (class F7) | M3 | - actuator of extract air damper |
| IF | - filter for extract air (class M5) | PS1 | - supply air differential pressure switch |
| DTJ 100.1 | - humidity + temperature sensor | PS2 | - extract air differential pressure switch |
| TL | - temperature sensor for fresh air | PS3 | - heat exchanger antifrost pressure switch |

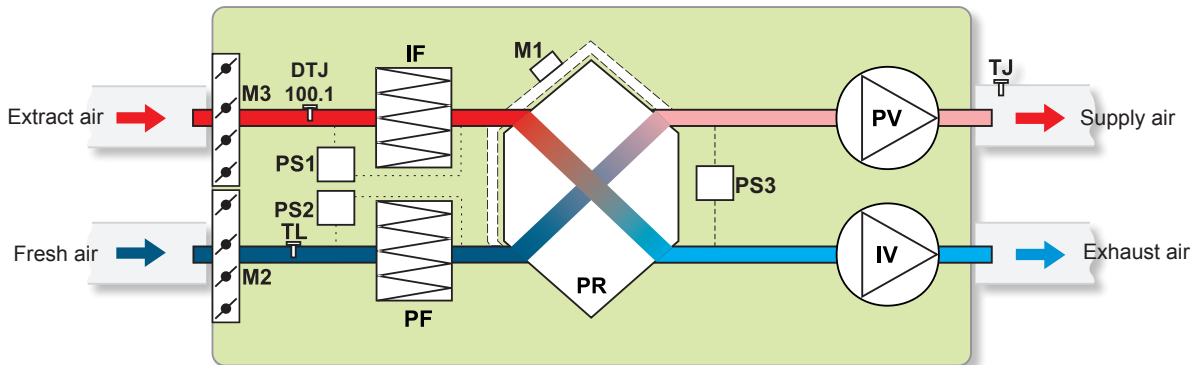
RIS H EKO

RIS 5500HE EKO 3.0 version with electrical heater



- | | | | |
|------------------|-------------------------------------|------------|--|
| IV | - exhaust air fan | TJ | - temperature sensor for supply air |
| PV | - supply air fan | M1 | - actuator of by-pass damper |
| PR | - plate heat exchanger | M2 | - actuator of fresh air damper |
| KE | - electrical heater | M3 | - actuator of extract air damper |
| PF | - filter for supply air (class F7) | PS1 | - supply air differential pressure switch |
| IF | - filter for extract air (class M5) | PS2 | - extract air differential pressure switch |
| DTJ 100.1 | - humidity + temperature sensor | PS3 | - heat exchanger antifrost pressure switch |
| TL | - temperature sensor for fresh air | | |

RIS 5500HW EKO 3.0 version with optional water heater



- | | | | |
|------------------|-------------------------------------|------------|--|
| IV | - exhaust air fan | TJ | - temperature sensor for supply air |
| PV | - supply air fan | M1 | - actuator of by-pass damper |
| PR | - plate heat exchanger | M2 | - actuator of fresh air damper |
| PF | - filter for supply air (class F7) | M3 | - actuator of extract air damper |
| IF | - filter for extract air (class M5) | PS1 | - supply air differential pressure switch |
| DTJ 100.1 | - humidity + temperature sensor | PS2 | - extract air differential pressure switch |
| TL | - temperature sensor for fresh air | PS3 | - heat exchanger antifrost pressure switch |