



TM2-24HC is a two step room thermostat for control of heating and cooling in sequence.

- * Sequential control of heating and cooling
- * Supply voltage 24 V AC, 3A
- * 24 V AC output to thermal actuator
- * Setpoint knob can be locked
- * Fits over an inset wallbox, c:c 60 mm
- * LED indication on the front

Function

TM2-24HC is an electronic room thermostat for wall mounting. It has a built-in temperature sensor and two outputs, one for heating and one for cooling. The outputs are mainly intended to control thermal valve actuators with supply voltage of 24V AC. There is a fixed neutral zone between heating and cooling to prevent these two functions being activated at the same time.

The thermostat has a snap-in cover and can be opened by pressing the plastic tongue on the lower edge with a screwdriver.

LED Indication

LED:s on the front indicates when the outputs are activated; LED indicators show green for cooling and red for heating.

Setpoint

The setpoint is set by means of the setpoint knob on the side. There are markings on the knob showing the middle point and a symbol for higher (red) and lower (blue) temperature.

The middle point on the knob corresponds to a

normal temperature of 22° C.

If a higher temperature is required the knob is turned to a position on the red side of the scale. If a lower temperature is required the knob is turned to a position on the blue side of the scale.

Locking the setpoint knob

In order to eliminate the risk of tampering, the setpoint knob can be locked by means of a locking screw under the cover.

Mounting

The thermostat is attached to the wall by two screws on the back plate. The screw pockets have a c:c of 60 mm to fit on a wall box.

Typical application

Controlling a cooling ceiling in sequence with a heating coil.

Technical data

Supply voltage	24 V AC +/- 15 % 50-60 Hz
Power consumption	1 VA
Ambient temperature	0...50°C
Storage temperature	-40...+50°C
Ambient temperature	Max 90% RH
Form of protection	IP30



This product conforms with the requirements of European EMC standards CENELEC EN 50081-1 and EN 50082-1 and carries the CE mark.

Outputs

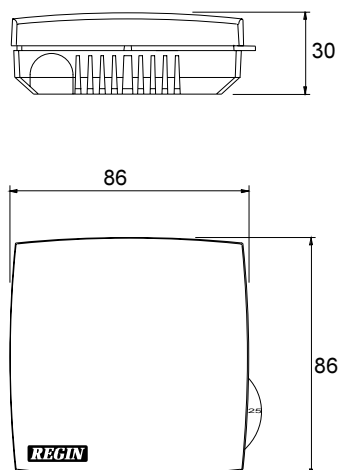
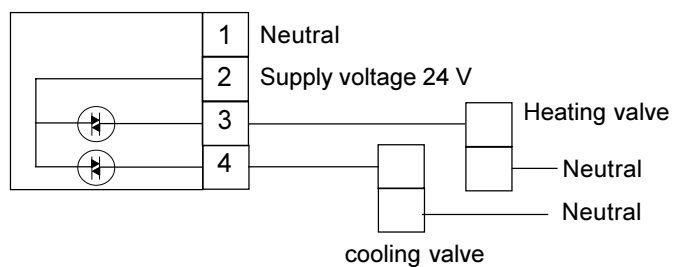
Heating	24 V AC output to thermal actuator, maximum 3A
Cooling	24 V AC output to thermal actuator, maximum 3A

Setting

Setpoint	Fixed setpoint 22°C, adjustable -12...+8 K (means 10...30°C)
----------	--

Hysteresis	0,3 K, fixed
Neutral zone	1,3 K, fixed
LED	Green for cooling and red for heating (on the front).

Wiring and dimensions



FOR INDOOR CLIMATE WITH OPTIMUM CONTROL

AB Regin

Box 116, SE-428 22 Källered, Sweden
Visiting address: Bangårdsvägen 35

Phone: +46 31 795 44 60
Fax: +46 31 795 38 50

www.regin.se
E-mail: info@regin.se

Org.nr.: SE5564145502
Säte: Mölndal