



The HDT2200 series is a humidity- or a humidity/temperature- transmitter for duct mounting.

- * Supply voltage 24 V AC or 20-35 V DC
- * Accuracy +/- 2% RH
- * Output signal 0-10 V DC or 4-20 mA
- * IP65
- * Excellent long term stability
- * Resistant to contamination

Function

The HDT2200 humidity transmitter is intended for duct-mounting in HVAC-applications, swimming baths, greenhouses, stables etc.

The humidity transmitter has a capacitive thin-film element which gives a signal that is proportional to the relative humidity. The measuring signal is converted by the built-in electronics to output signals, 0 - 10 V or 4-20 mA

Measuring element

The transmitter has an accuracy of +/- 2%RH (0...90%RH), +/-3% RH (90... 100% RH).

The measuring element has rapid response to changes in humidity. It can withstand saturation without negative effects on the accuracy. The sensor element can be subjected to 100 %RH without being damaged and has excellent long-term stability. The element also has good durability in contaminated environments.

Combination transmitter

The HTDT transmitter has, apart from the functions included in HDT, a temperature sensor, which, via the built-in electronics, gives output signals 0 - 10 V DC or 4-20 mA.

Supply voltage

The transmitter can be supplied by either 24 V AC or 20 - 35 V DC. The transmitter has automatic adaptation to the connected voltage. Transmitters with output 4-20 mA is to be supplied with 20-35 V DC

Models

HDT2200	Humidity transmitter for duct mounting, 0-10V
HDT2200-420	Humidity transmitter for duct mounting, 4-20mA
HTDT2200	Humidity and temperature transmitter for duct mounting, 0-10V
HTDT2200-420	Humidity and temperature transmitter for duct mounting, 4-20mA

Technical data

Supply voltage	24 V AC +/-20% (only 0-10 V versions) and 20-35 V DC
Ambient temperature electronics	-20...+50 C°
Cabel connection	Screw terminals max 1,5mm
Protection class	IP65
CE	These products conform with the requirements of European EMC standards CENELEC EN 50081-1 and EN 50082-1 and carry the CE mark.

Humidity

Sensor element	Capacitive thin-film element The sensor element can be subjected to 100 %RH without being damaged.
Working range	0...100 %RH
Accuracy at 20° C	+/-2 % RH (0...90% RH), +/-3% RH (90...100%RH)
Hysteresis 10% - 80% - 10%	<2% RH
Temperature dependance at 60% RH	Typical - 0,05% RH/° C
Outputs	0 - 10 V DC <1,0mA, 4-20 mA <500 Ohm for 0...100% RH
Sensor protection	Membrane filter, sintered brass on request

Temperature only HTDT2200

Sensor element	KF6544 Class DIN A IEC 751
Working range	-20...+80 C°
Output signals	0 - 10 V DC or 4-20 mA for -20...+80° C
Accuracy at 20°C	+/- 0,4°C
Temperature dependence	<+/- 0,03°C / °C (for the electronic circuitry)

All other technical details as above.

Dimensions and wiring

HDT2200

1	Supply voltage
2	System neutral
3	Output humidity 0-10 V DC

HDT2200-420

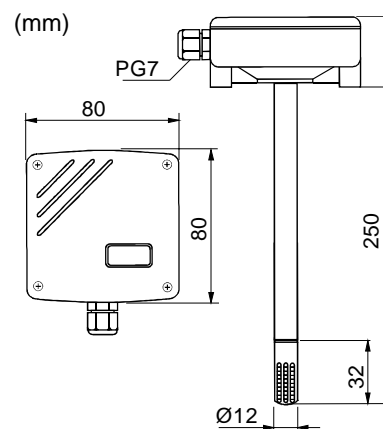
1	Supply voltage
2	Output humidity 4-20mA

HTDT2200

1	Supply voltage
2	System neutral
3	Output humidity 0-10 V DC
4	Output temperature 0-10 V DC

HTDT2200-420

1	Supply voltage
2	Output humidity 4-20mA
3	Output temperature 4-20mA



FOR INDOOR CLIMATE WITH OPTIMUM CONTROL

AB Regin

Box 116, SE-428 22 Källered, Sweden
Visiting address: Bangårdsvägen 35

Phone: +46 31 720 02 22
Fax: +46 31 94 01 42

www.regin.se
E-mail: info@regin.se

Org.nr.: SE556414-5455
Säte: Mölndal