

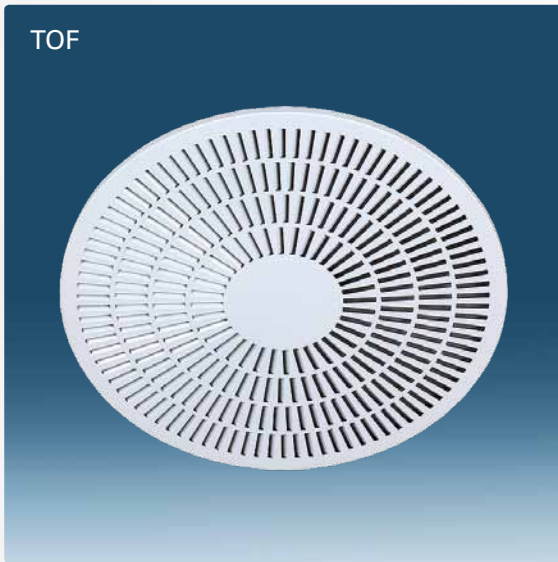
TOF

TOF is an attractively designed twist-supply diffuser popular among interior architects. No wonder – it can peacefully coexist with almost any type of interior design, giving you free rein in adding other fixtures or interior design elements in the room.

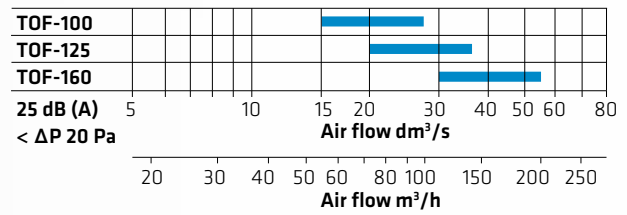
Its low structural height and special perforation make this supply air diffuser almost invisible when viewed from the side.

TOF

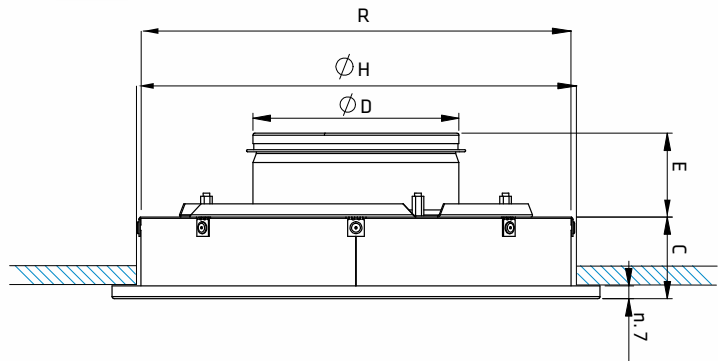
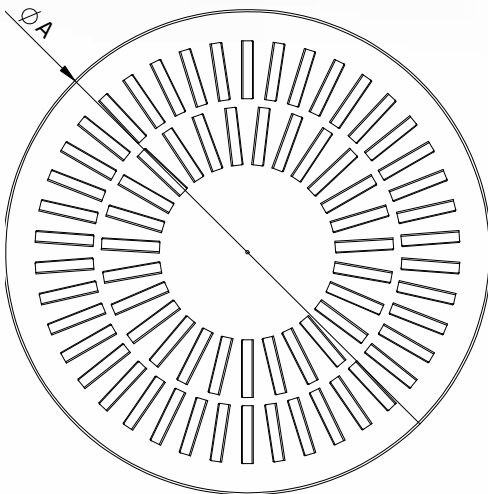
TOF is a supply air diffuser with a high mixing ratio using the twist-supply principle. TOF is suitable for use also in larger rooms. For the adjustment unit, we recommend the extremely accurate and quiet SAM damper or the TAK balancing plenum and dampening box.



QUICK GUIDE



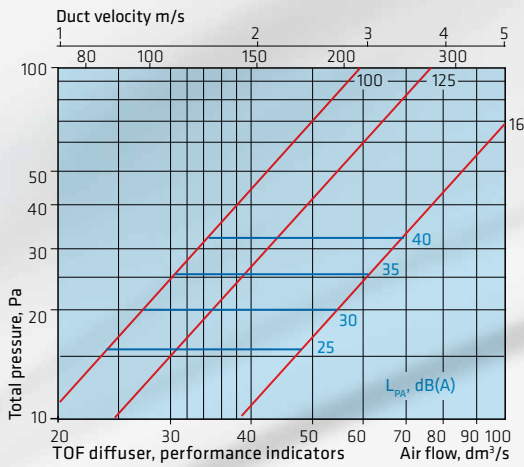
DIMENSIONS



Supply air diffusers

Model	Ød	ØH	ØA	C	E	R	Weight, kg
TOF-100	100	275	294	50	45	262	1,2
TOF-125	125	275	294	50	45	262	1,2
TOF-160	160	370	386	50	45	354	1,8

TOF-100-160



Sound power level L_{okt}

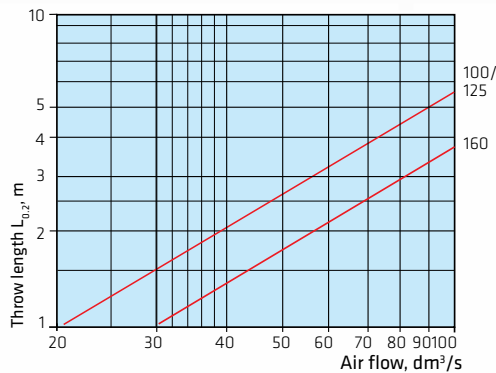
Size	f, Hz	63	125	250	500	1k	2k	4k	8k
TOF-100	K, dB	-9	-5	-2	1	1	-5	-20	-25
TOF-125	K, dB	-8	-5	-2	0	1	-4	-20	-25
TOF-160	K, dB	-4	-5	1	2	4	-4	-18	-24

Sound attenuation

Size	f, Hz	63	125	250	500	1k	2k	4k	8k
TOF-100	DL, dB	23	15	8	2	1	1	4	5
TOF-125	DL, dB	21	14	7	1	0	1	3	4
TOF-160	DL, dB	19	14	4	1	0	1	3	4

$L_{wokt} = L_{pA} + K$

Throw length



Airborne sound insulation D, n, e, w, dB

Supply air

Size	TOF	TOF+VAL	TOF+VAM
100	41	60	60
125	41	61	60
160	41	59	59

Throw pattern

