

# FRESH TL-E

Air supply vent • 2004-01-01

## Standard Approval Certification



SWEDCERT  
no 0034

- Variable adjustment
- Condensation protection
- Adjustable distribution pattern
- Complete range of accessories

## TL-E

Basic vent for wall mounting. Designed to ventilate basic areas such as storerooms, garages etc.

Supplied with condensation protection.

The airflow and the direction are adjusted with the front cap which is mounted on the internal part.



TL98E



TL80E

## Specification

Product	Description	Art no
TL98E Bulk	Complete vent with wall pipe Ø98/102 mm	629850
TL80E Bulk	Complete vent with wall pipe Ø81/85 mm	628050
TL-E Internal part	Internal part	249850

The vent can easily be adjusted to suit special requests (larger coverplates, dB-pipe etc).

## Technical data

Capacity:	9,8 l/s for TL98E and 7,8 l/s for TL80E at 10 Pa.
Wall opening:	Min. Ø86 mm for TL80E and Ø105 mm for TL98E
Material:	ABS plastic (recyclable)
Colour:	White, RAL 9010

# FRESH TL-E

Air supply vent • 2004-01-01

## Description/function

### Standard

Basic vent for wall mounting. A complete set contain internal part, wall pipes and external grille (incl. mesh).

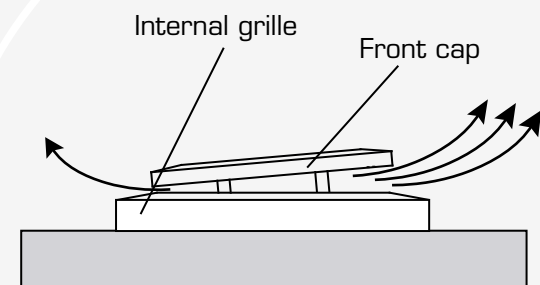
The pipes fit telescopically which provides a flexible join.

### Internal part

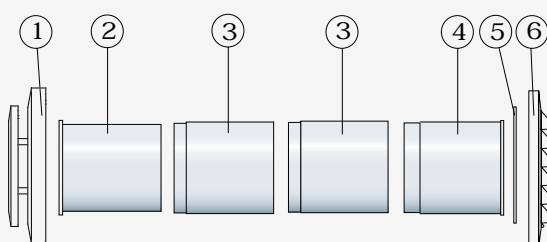
The internal part contains a cap with a mounted condensation protection. The airflow and the direction are adjusted with the front cap which is mounted on the internal part.

### Mounting

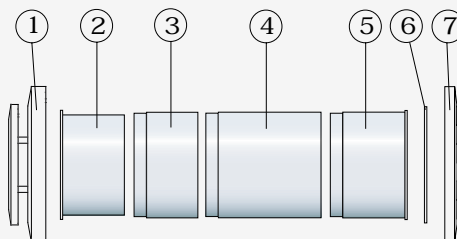
A high placing is recommended, preferably above a radiator. With this solution the incoming air mixes with the convection flow of warm air, ensuring maximum comfort.



TL80E		
Pos.	Description	Art no
1	TL-E Internal part	249850
2	Adapter 8 Ø81 x 90 mm	660890
3	Wall pipe Ø81/85 x 75 mm	660875
4	Adapter 8 Ø81/85 x 90 mm	660892
5	Insect mesh	664003
6	External grille #150 mm	801701



TL98E		
Pos.	Description	Art no
1	TL-E Internal part	249850
2	Adapter 10 Ø98 x 60 mm incl rain stopper	661061
3	Wall pipe Ø98/102 x 50 mm	661050
4	Wall pipe Ø98/102 x 100 mm	188009
5	Stos 10 utv. Ø98/102 x 60 mm	661063
6	Insect mesh	664003
7	External grille #150 mm	801701



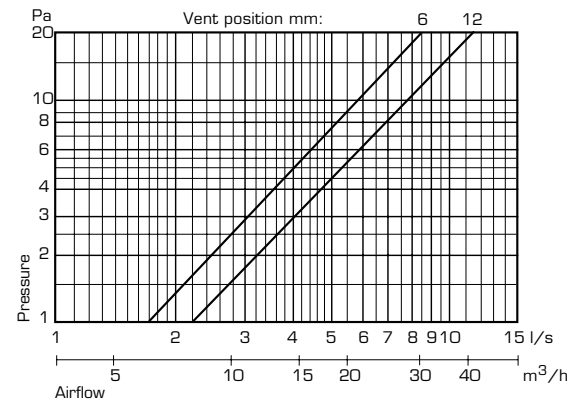
# FRESH TL-E

Air supply vent • 2004-01-01

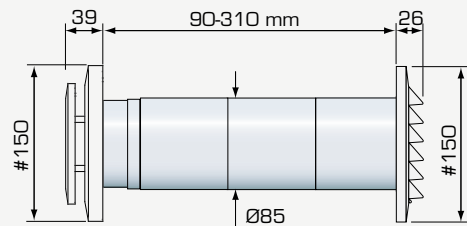
## Technical data TL80E

Capacity at 10 Pa:	7,8 l/s
Wall opening:	Min. Ø86 mm
Max wall thickness:	310 mm. Additional wall pipes are available (accessory).
Material:	ABS-plastic (recyclable)
Colour:	White, RAL 9010

## Capacity TL80E



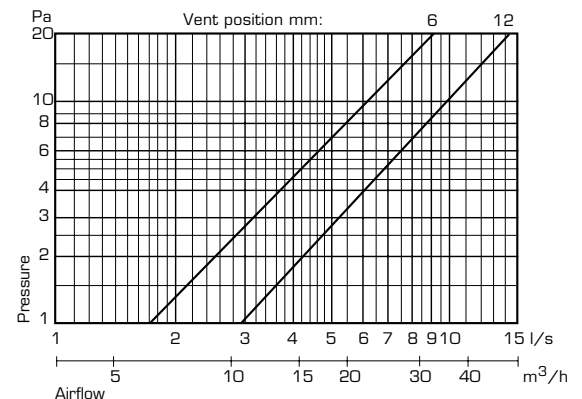
## Dimensions TL80E



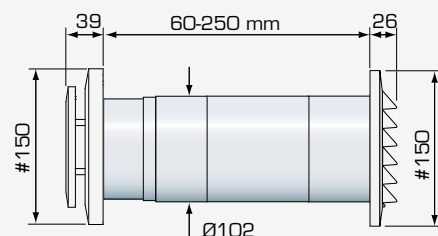
## Technical data TL98E

Capacity at 10 Pa:	9,8 l/s
Wall opening:	Ø105 mm
Max wall thickness:	250 mm. Additional wall pipes are available (accessory).
Material:	ABS-plastic (recyclable)
Colour:	White, RAL 9010

## Capacity TL98E



## Dimensions TL98E

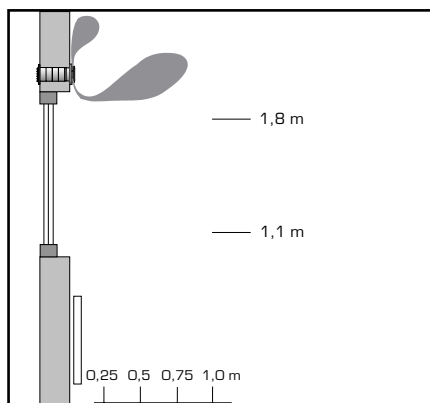


# FRESH TL-E

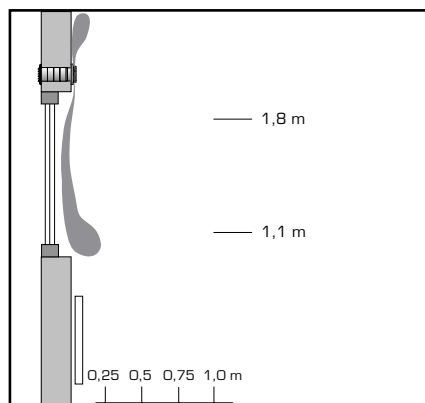
Air supply vent • 2004-01-01

## Distribution pattern

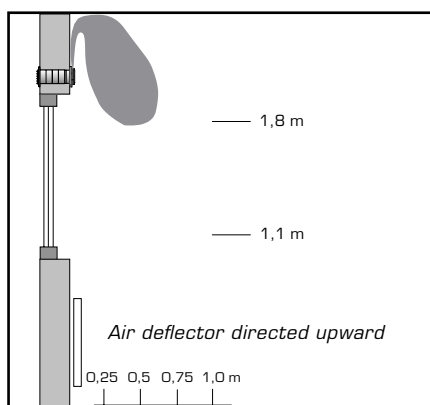
As shown in the diagrams below the vent can handle up to 8 l/s even at -20°C without causing draught problems. The shaded areas indicates air movements above 0.15 m/s.



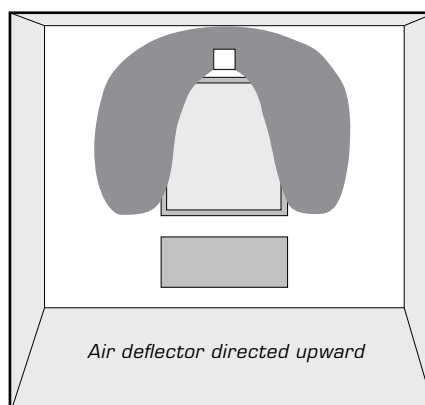
Outdoor temperature: -20°C  
Indoor temperature: +20°C  
Airflow: 8 l/s  
Capacity of radiator: 750 W



Outdoor temperature: +/- 0°C  
Indoor temperature: +20°C  
Airflow: 8 l/s  
Capacity of radiator: 400 W



Outdoor temperature: +/- 0°C  
Indoor temperature: +20°C  
Airflow: 8 l/s  
Capacity of radiator: 200 W



Outdoor temperature: +/- 0°C  
Indoor temperature: +20°C  
Airflow: 8 l/s  
Capacity of radiator: 200 W

## Maintenance

It is important to keep the filter clean in order to ensure correct airflow and to retain good air quality. We recommend to clean the channel and the insect mesh once a year. If the channel filter (accessory) is used we recommend to clean/replace it 1-2/year. The channel filter is washable (use a gentle soap/detergent).

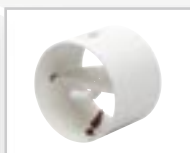
## Accessories



**Wall pipe**  
Available in different sizes and lengths



**Coverplate**  
Available in different sizes and colours



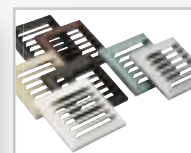
**Storm shield**  
Regulates air supply during heavy winds



**Channel filter**



**Rain shield**



**External grille**  
Available in different sizes and colours



**FRESH AB**  
Box 7  
SE-360 32 GEMLA  
www.fresh.se

Telephone +46 (0) 470 70 77 00  
Fax +46 (0) 470 70 77 39

E-mail [information@fresh.se](mailto:information@fresh.se)

Copyright © Fresh AB 2004 - All rights reserved