

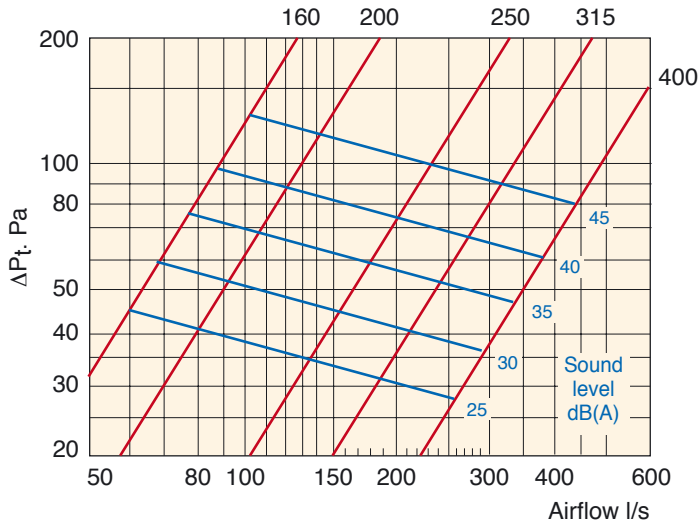
SUPPLY AIR DIFFUSER RUL

Performance

The graphs are not to be used for commissioning.

For a proper vertical pattern is at least 40 Pa needed.

Airflow - pressure drop - sound level



Sound power level L_w , dB

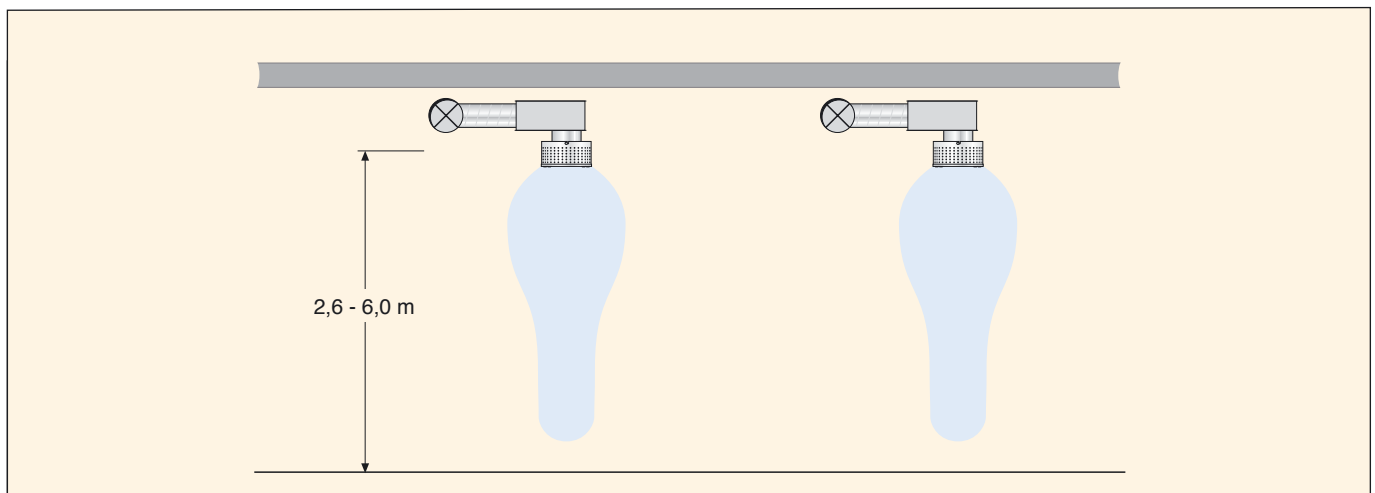
Correction factor K_{okt}

Size	Hz						
	125	250	500	1k	2k	4k	8k
160	-4	-1	0	0	-1	-8	-17
200	-2	1	2	1	-5	-12	-12
250	-3	1	2	1	-6	-14	-14
315	-2	1	1	0	-6	-15	-17
400	-2	1	0	0	-7	-16	-16

Sound attenuation ΔL , dB

Size	Hz						
	125	250	500	1k	2k	4k	8k
160	13	8	3	3	2	2	2
200	11	5	2	4	2	2	2
250	10	4	2	4	3	3	2
315	8	3	1	1	2	3	2
400	6	2	1	1	0	0	0

Installation example

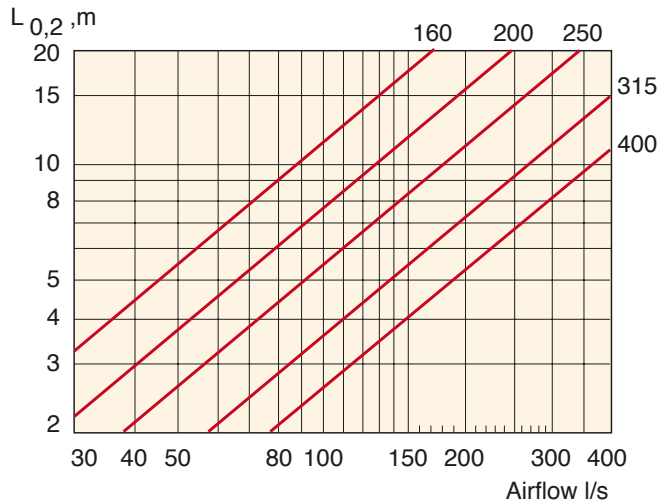


SUPPLY AIR DIFFUSER RUL

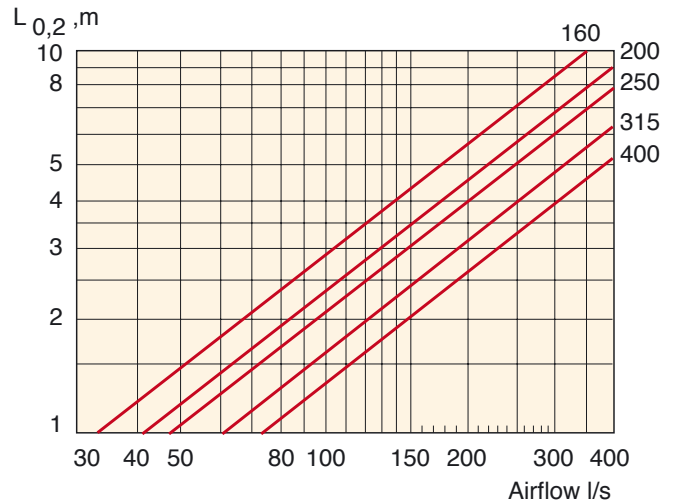
Air flow - throw

The throw data is shown with isothermal supply air.

Vertical throw



Horizontal throw

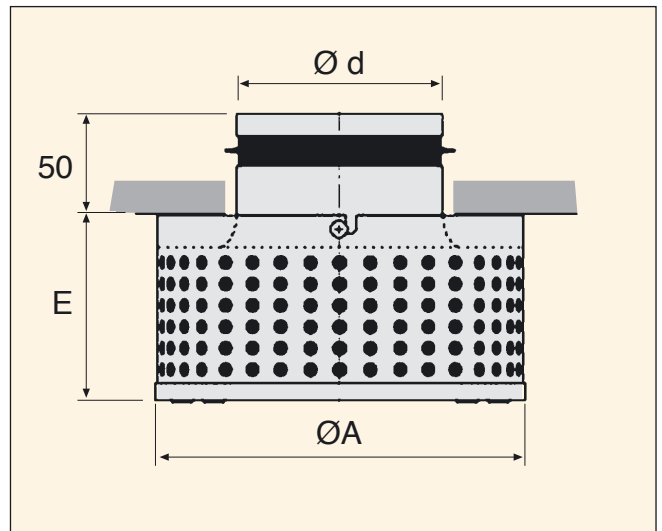


The supply air temperature will affect the vertical throw.

Adjusting the air distribution pattern does not affect the pressure drop or sound level.

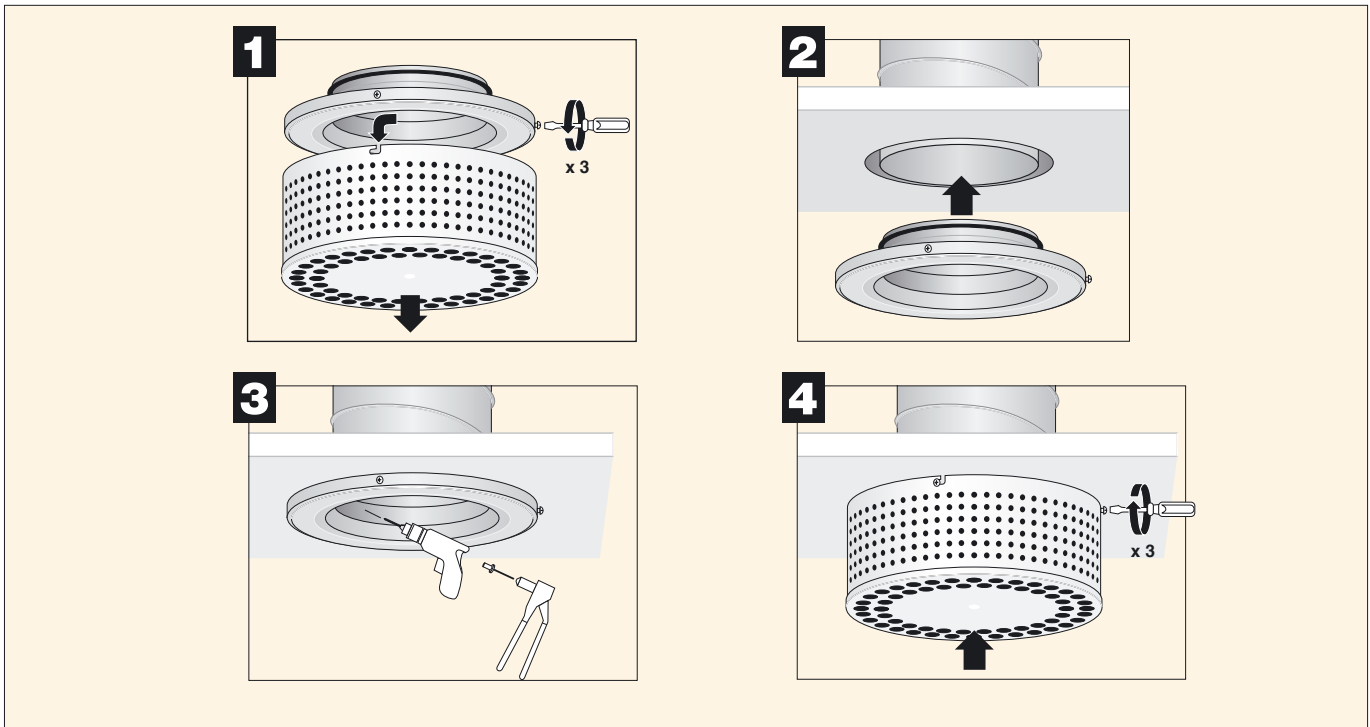
Dimensions

Size	$\varnothing d$	$\varnothing A$	E
160	159	255	102
200	199	320	141
250	249	405	180
315	314	405	258
400	399	505	340

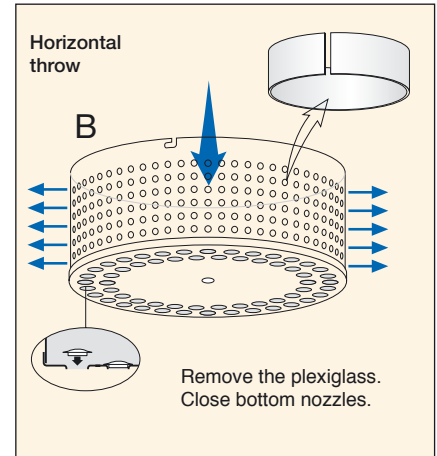
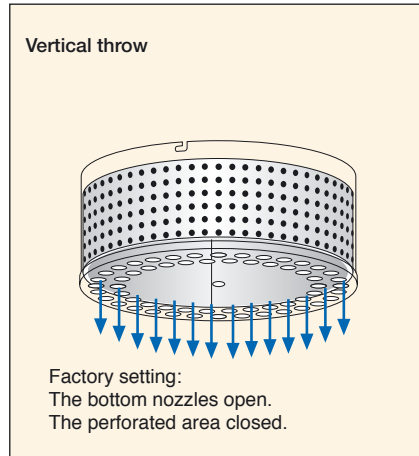
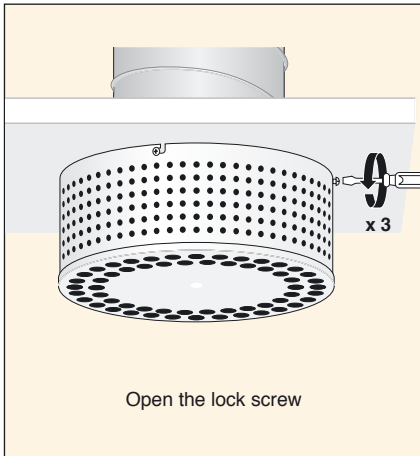


SUPPLY AIR DIFFUSER RUL

Installation



Adjusting the air distribution pattern



Measuring the air flow

Measure the pressure drop over the diffuser face.
The k-factors are shown in the RCL-commissioning guide.

