

RONDO

RONDO easily becomes the centrepiece of your ceiling-mounted fixtures. Yet, it doesn't attract undeserved attention thanks to its calm perforation pattern.

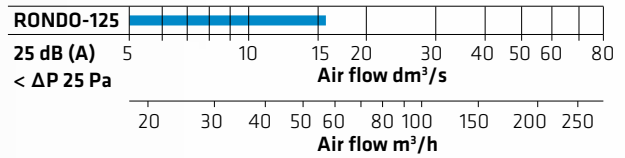
RONDO is a low structure twist-supply ceiling diffuser with an excellent mixing ratio. The structure and direction of the throw pattern effectively keep the ceiling surface from becoming soiled.

RONDO

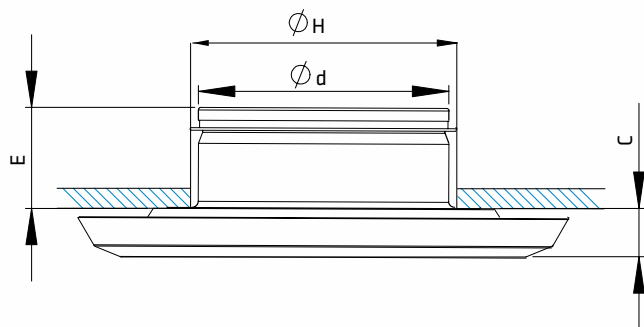
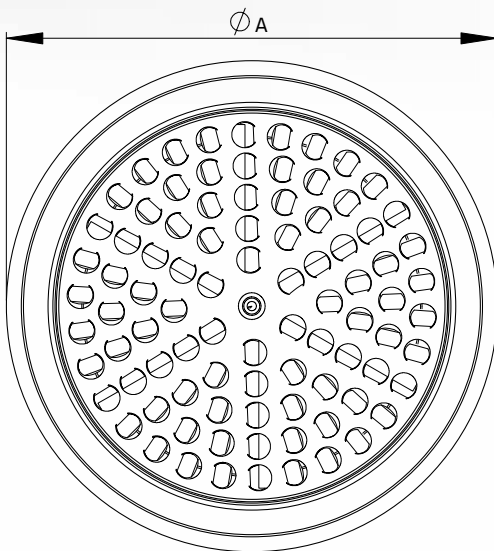
RONDO is a supply air diffuser using the twist-supply principle. Thanks to its good mixing ratio, it is suitable for low-temperature air supply.



QUICK GUIDE



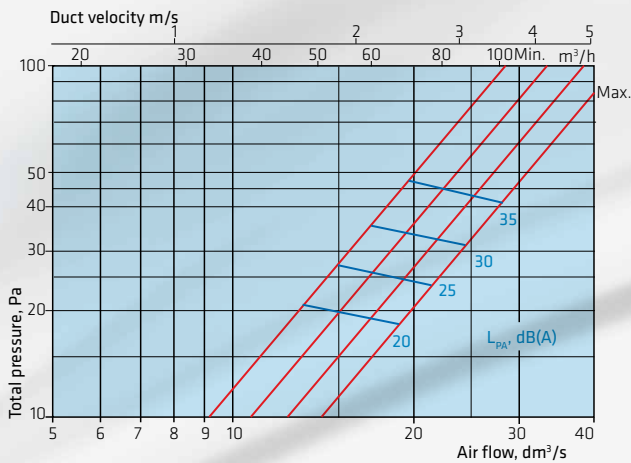
DIMENSIONS



Supply air diffusers

Model	Ød	ØH	ØA	C	E	Weight, kg
RONDO-125	125	140	243	23	45	0,6

RONDO-125



Sound power level L_{okt}

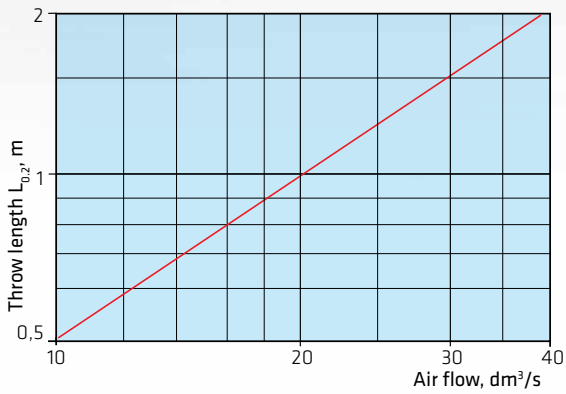
Size	f, Hz	63	125	250	500	1k	2k	4k	8k
RONDO-125	K, dB	-16	-2	0	1	-1	-3	-9	-15

Sound attenuation

Size	f, Hz	63	125	250	500	1k	2k	4k	8k
RONDO-125	ΔL, dB	20	14	9	3	1	0	3	5

L_{wokt} = L_{pA} + K

Throw length



Airborne sound insulation D, n, e, w, dB

Supply air

Size	RONDO	RONDO+VAL
125	40	60

Throw pattern

