

RETRO

RETRO is an exhaust air vent for small air flows designed in classic style.

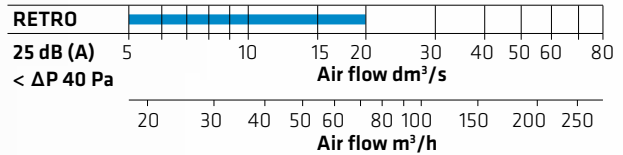
Small and unobtrusive, it quietly takes care of your ventilation needs, but should your eye fix on it, it will not be in discord with your other interior design elements.

RETRO

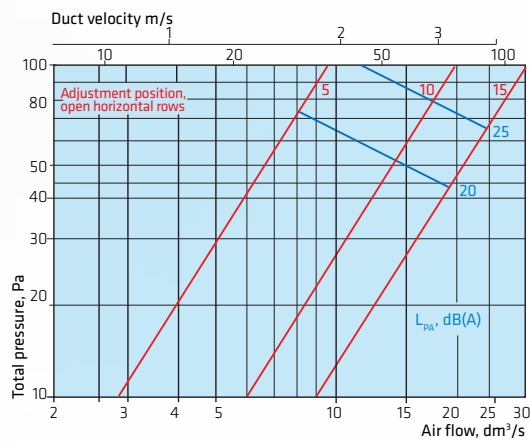
RETRO features a low and indistinguishable structure. It is easy to keep clean and silent in operation.



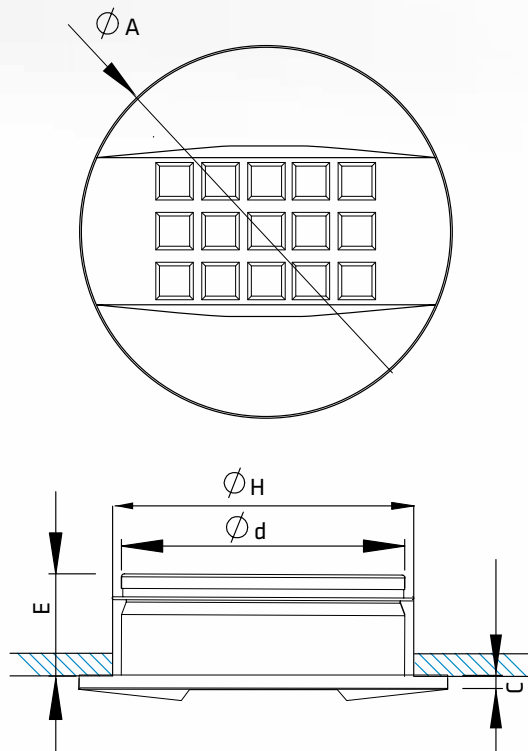
QUICK GUIDE



RETRO



DIMENSIONS



Exhaust air vents

Model	Ød	ØH	Ø	C	E	Weight, kg
RETRO	125	130	162	11	45	0,4

Sound power level L_{okt}

Size	f, Hz	63	125	250	500	1k	2k	4k	8k
RETRO-100	K, dB	-1	-1	1	1	-1	-4	-8	-11

Sound attenuation

Size	f, Hz	63	125	250	500	1k	2k	4k	8k
RETRO-100	ΔL, dB	18	16	12	9	9	11	10	12

L_{wokt} = L_{pA} + K

Airborne sound insulation

D, n, e, w, dB

Supply air

Size	RETRO	RETRO+VAL	RETRO+VAM
100	41	60	62