

PERFORATED SUPPLY AIR DIFFUSER REL

Performance

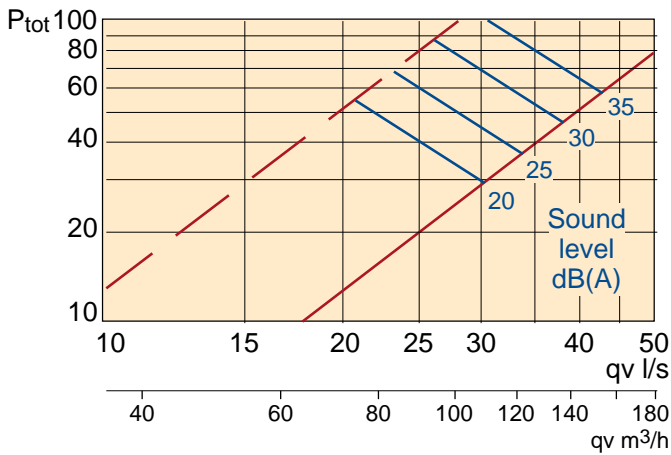
The graphs are not to be used for commissioning.

Airflow - pressure drop - sound level

The sound level increases if the distance after fitting is shorter than $3 \times \varnothing d$:

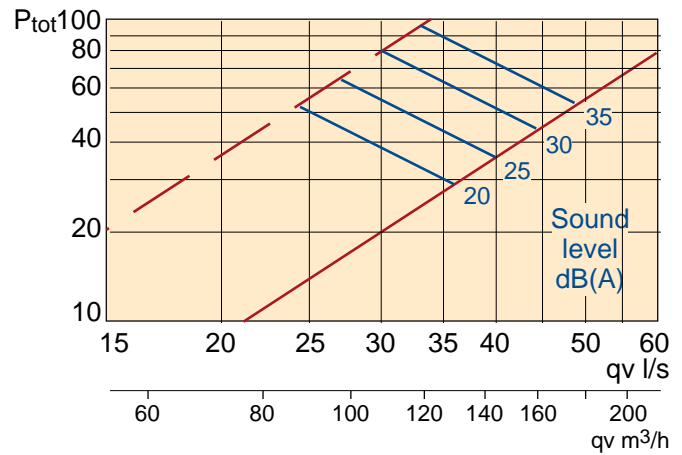
- after bend +4 dB (A)
- after T-bend +8 dB (A)

REL-100



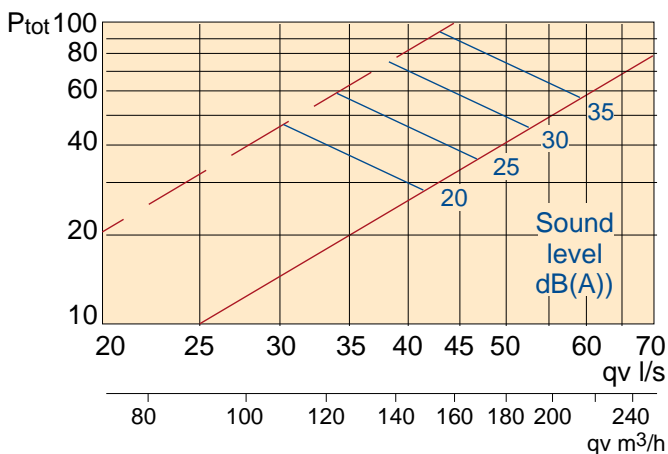
f, Hz	Sound power level							
	63	125	250	500	1 k	2 k	4 k	8 k
K _{okt} , dB	-2	-7	-1	2	1	-9	-23	-25
Sound attenuation								
ΔL, dB	22	16	10	3	5	7	5	6

REL-125



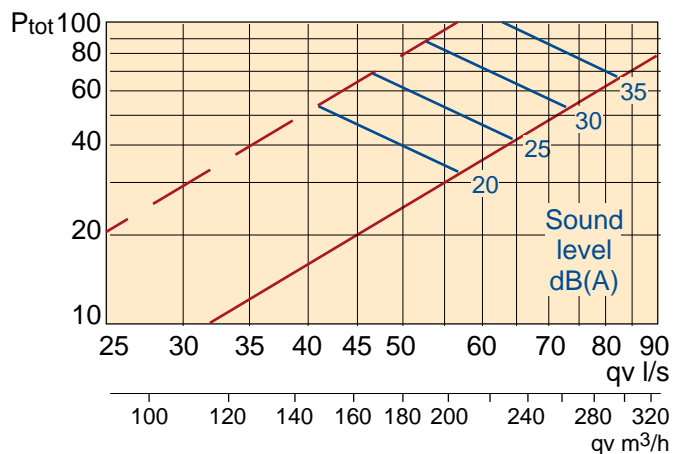
f, Hz	Sound power level							
	63	125	250	500	1 k	2 k	4 k	8 k
K _{okt} , dB	-6	-3	1	1	-2	-1	-21	-25
Sound attenuation								
ΔL, dB	19	15	8	2	6	9	7	8

REL-160



f, Hz	Sound power level							
	63	125	250	500	1 k	2 k	4 k	8 k
K _{okt} , dB	-7	-4	-1	0	0	-1	-8	-17
Sound attenuation								
ΔL, dB	17	13	8	3	3	1	2	3

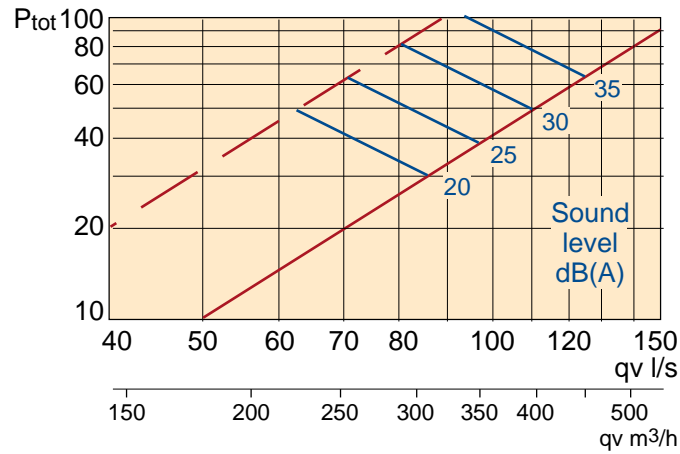
REL-200



f, Hz	Sound power level							
	63	125	250	500	1 k	2 k	4 k	8 k
K _{okt} , dB	-7	-2	1	2	1	-5	-12	-12
Sound attenuation								
ΔL, dB	15	11	5	2	4	3	3	3

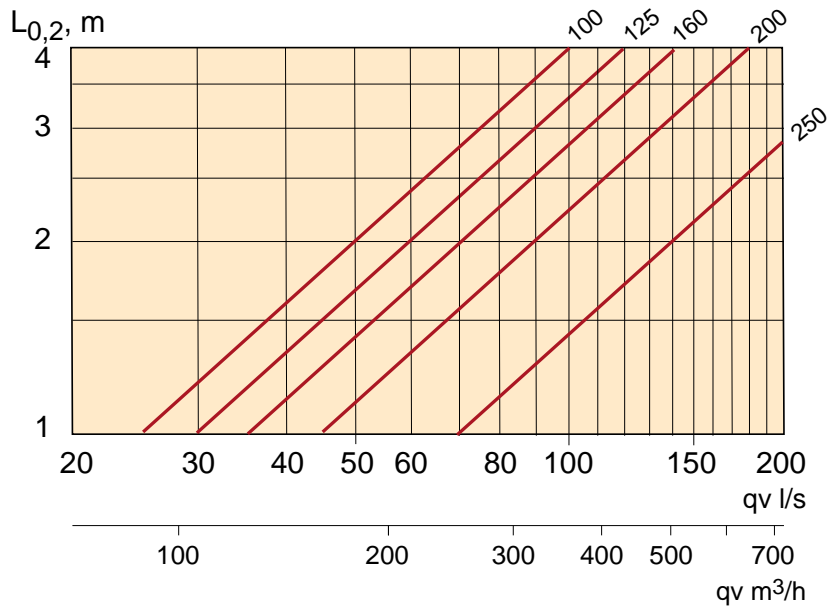
PERFORATED SUPPLY AIR DIFFUSER REL

REL-250



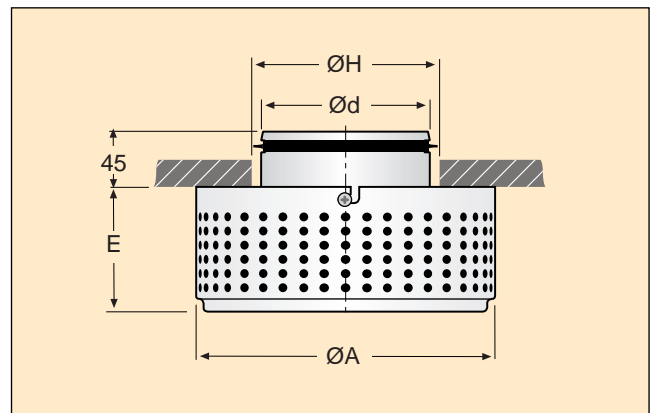
		Sound power level							
f, Hz		63	125	250	500	1 k	2 k	4 k	8 k
K _{okt} , dB		-6	-3	1	2	1	-6	-14	-14
		Sound attenuation							
ΔL, dB		14	10	4	2	4	3	3	2

Airflow - throw



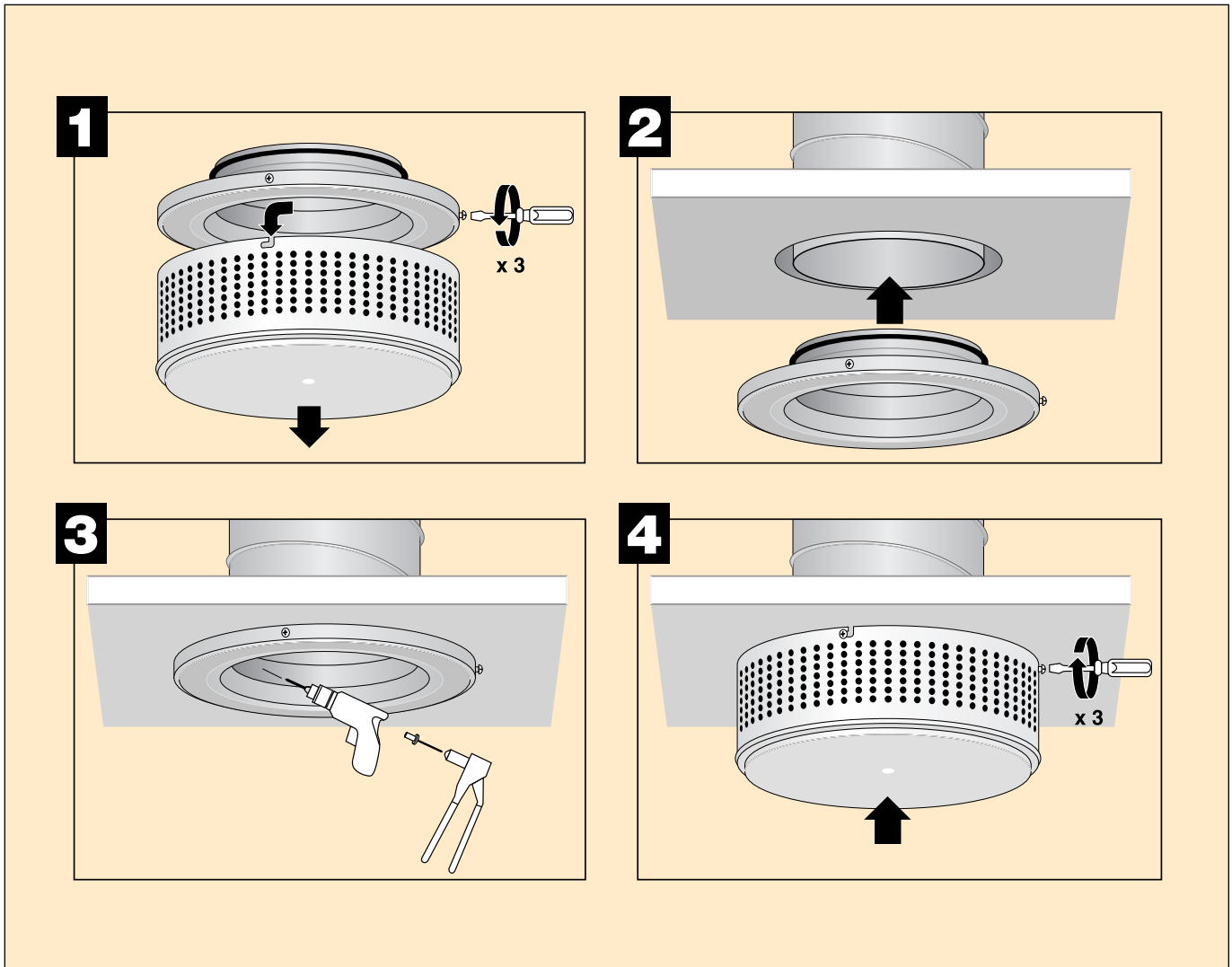
Dimensions

Size	ø d	ø A	E	ø H
100	99	205	89	120
125	124	205	98	145
160	159	255	98	180
200	199	320	98	220
250	249	405	116	270



PERFORATED SUPPLY AIR DIFFUSER REL

Installation



Measuring



The k-factors are shown in the measuring guide.

Maintenance

Wipe the visible face with a moist cloth.