

# Nozzle supply air wall diffusers

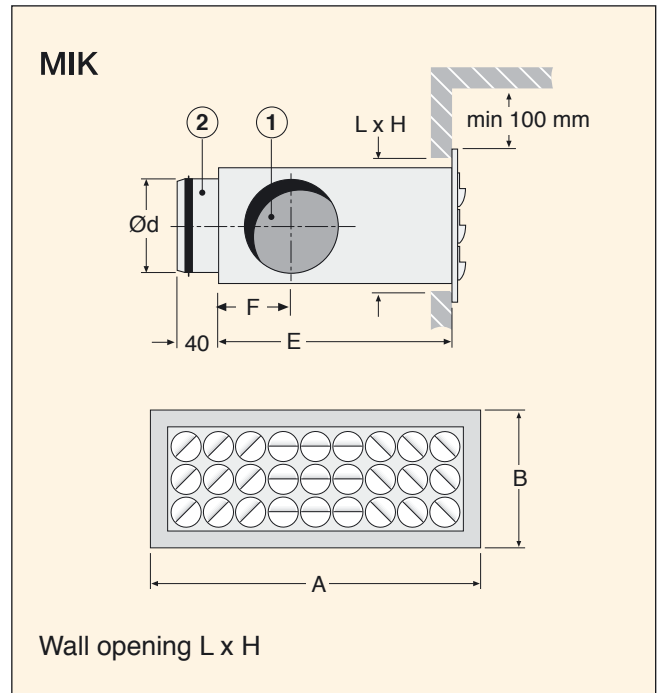
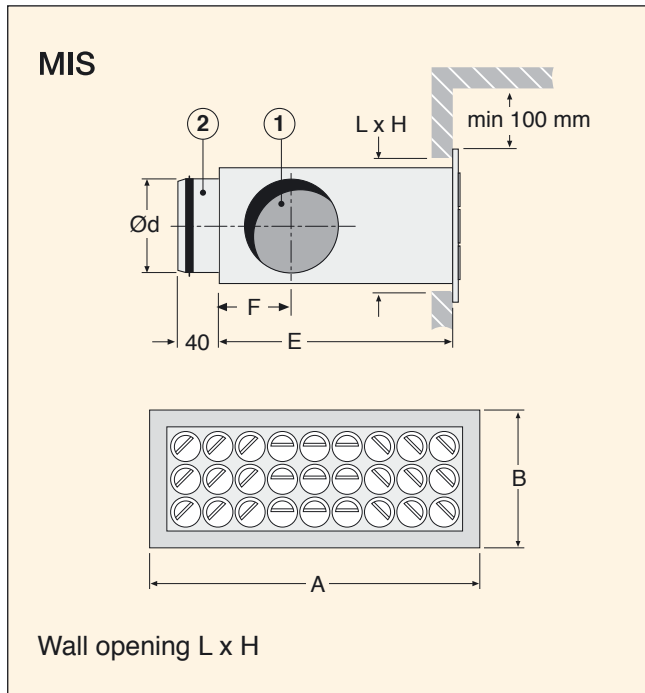


**RCL<sup>®</sup>**  
**RC-Linja Oy**

P.O.Box 80, FIN-00701 Helsinki • Tel: +358 20 198 6600 • Fax: +358 20 198 6609 • [www.rcl.fi](http://www.rcl.fi)

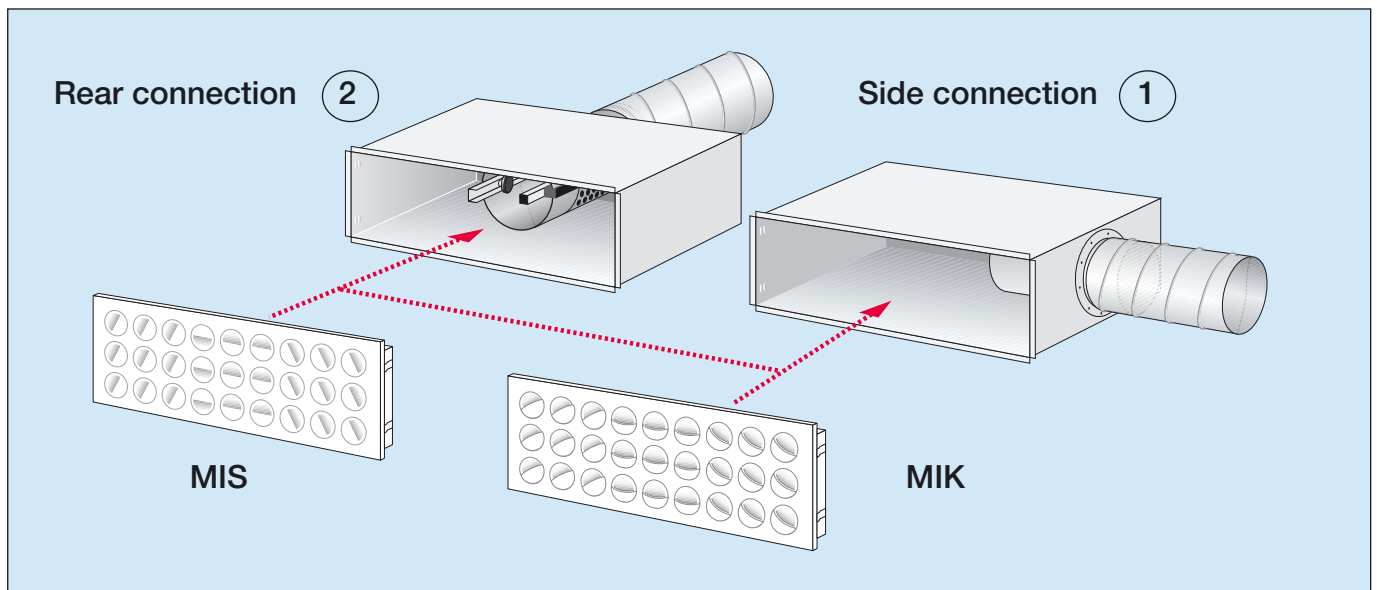


## Dimensions



Size	$\varnothing d$	A x B	L x H	E	F	Weight, kg
100	99	425 x 175	400 x 150	320	125	4,0
125	124	525 x 175	500 x 150	320	135	4,9
160	159	525 x 225	500 x 200	390	155	6,6
200	199	625 x 275	600 x 250	450	175	9,0

## Structure

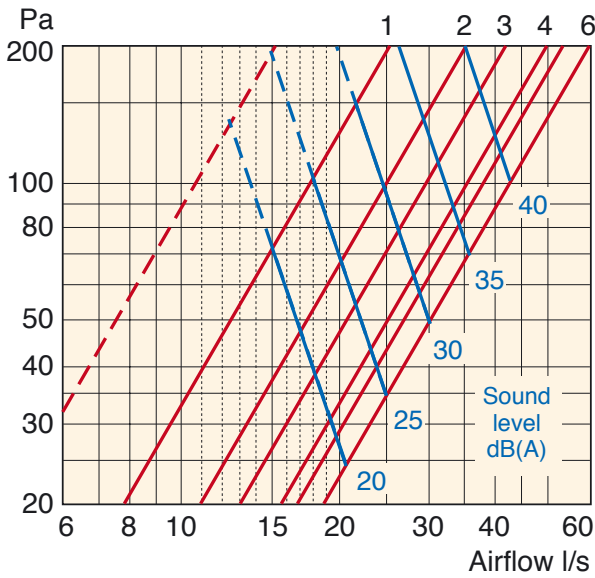


# NOZZLE AIR DIFFUSERS MIS and MIK

## Performance

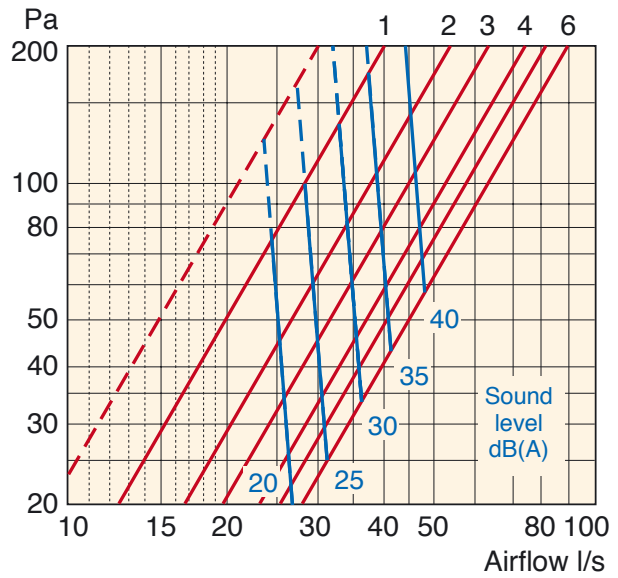
The graphs are not to be used for commissioning. Measuring is presented on page 8.

MIS - 100 (nominal face size 400 x 150)



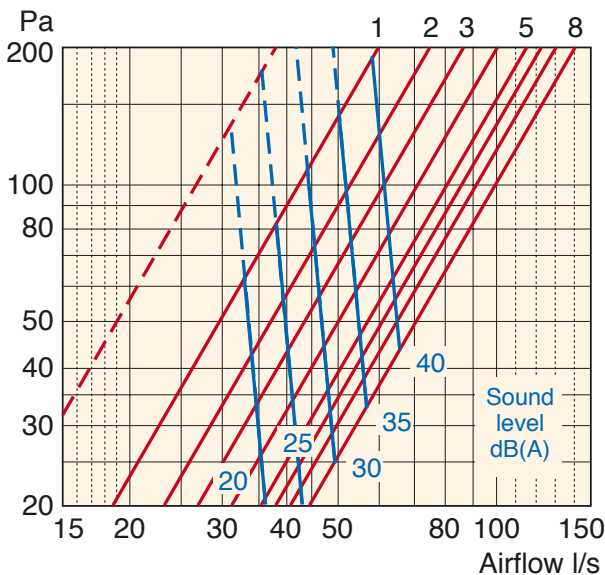
Sound power level $L_w$							
63	125	250	500	1 k	2 k	4 k	8 k
-7	1	8	3	-3	-10	-17	-18
Sound attenuation $\Delta L$ , dB							
22	13	5	10	5	5	5	3

MIS - 125 (nominal face size 500 x 150)



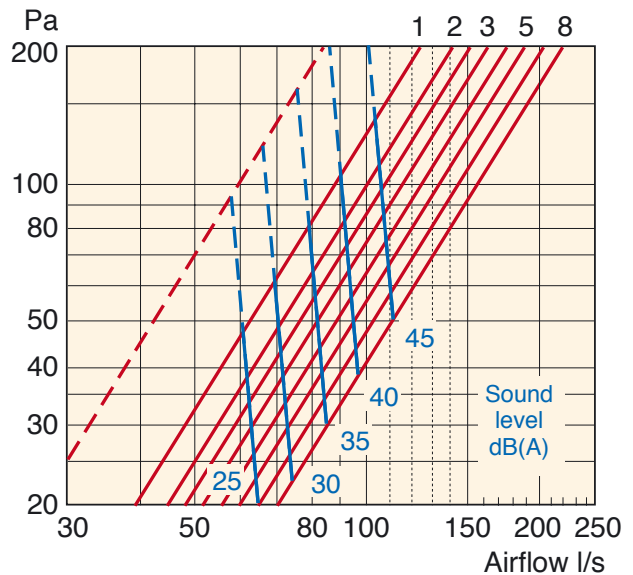
Sound power level $L_w$							
63	125	250	500	1 k	2 k	4 k	8 k
-4	2	7	2	-2	-10	-15	-16
Sound attenuation $\Delta L$ , dB							
21	15	6	8	6	6	5	4

MIS - 160 (nominal face size 500 x 200)



Sound power level $L_w$							
63	125	250	500	1 k	2 k	4 k	8 k
-1	2	5	2	-2	-9	-13	-13
Sound attenuation $\Delta L$ , dB							
18	11	5	6	7	6	5	6

MIS - 200 (nominal face size 600 x 250)



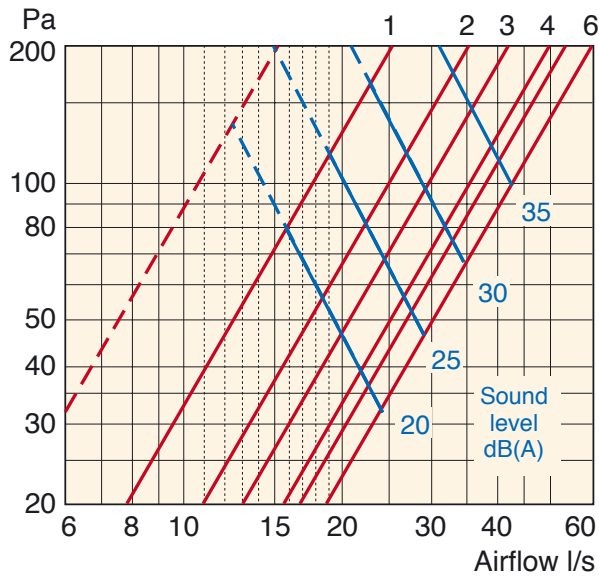
Sound power level $L_w$							
63	125	250	500	1 k	2 k	4 k	8 k
-1	3	4	3	-1	-7	-11	-13
Sound attenuation $\Delta L$ , dB							
11	6	4	5	6	3	6	6

# NOZZLE AIR DIFFUSERS MIS and MIK

## Performance

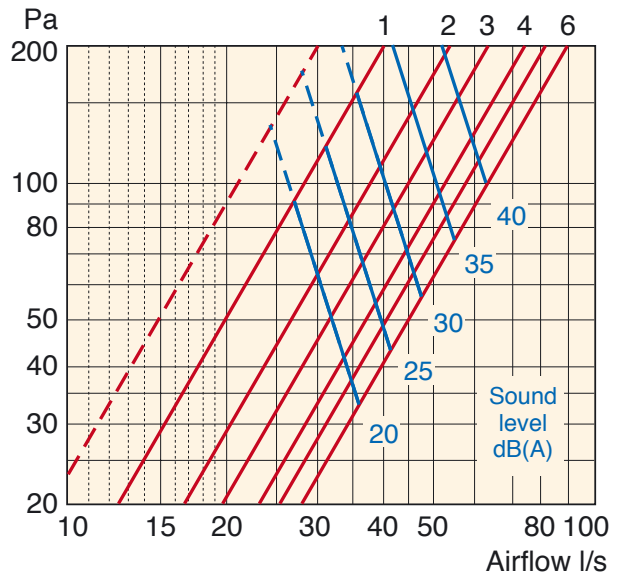
The graphs are not to be used for commissioning. Measuring is presented on page 8.

MIK - 100 (nominal face size 400 x 150)



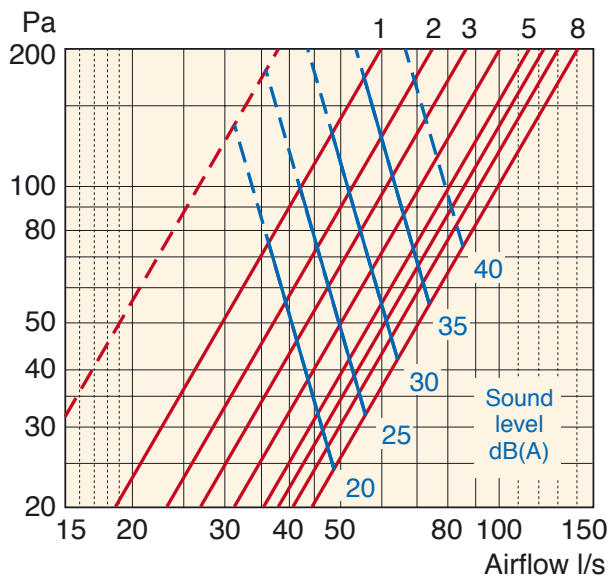
Sound power level $L_w$							
63	125	250	500	1 k	2 k	4 k	8 k
-7	1	8	3	-3	-10	-17	-18
Sound attenuation $\Delta L$ , dB							
22	13	5	10	5	5	5	3

MIK - 125 (nominal face size 500 x 150)



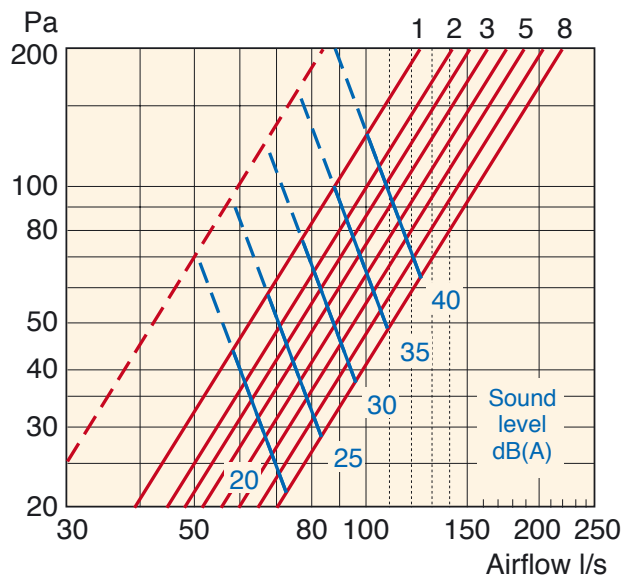
Sound power level $L_w$							
63	125	250	500	1 k	2 k	4 k	8 k
-4	2	7	2	-2	-10	-15	-16
Sound attenuation $\Delta L$ , dB							
21	15	6	8	6	6	5	4

MIK - 160 (nominal face size 500 x 200)



Sound power level $L_w$							
63	125	250	500	1 k	2 k	4 k	8 k
-1	2	5	2	-2	-9	-13	-13
Sound attenuation $\Delta L$ , dB							
18	11	5	6	7	6	5	6

MIK - 200 (nominal face size 600 x 250)

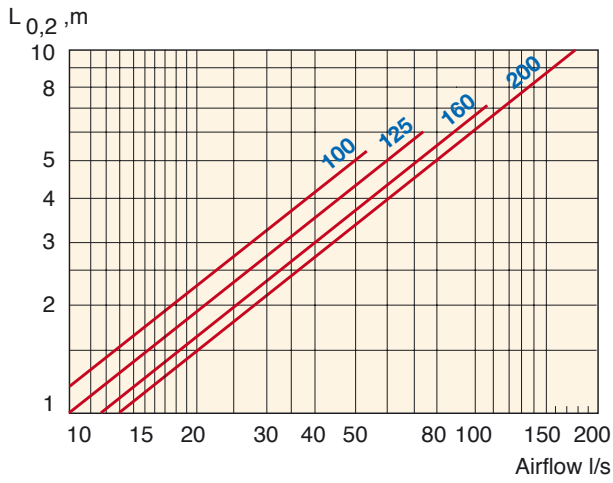


Sound power level $L_w$							
63	125	250	500	1 k	2 k	4 k	8 k
-1	3	4	3	-1	-7	-11	-13
Sound attenuation $\Delta L$ , dB							
11	6	4	5	6	3	6	6

# NOZZLE AIR DIFFUSERS MIS and MIK

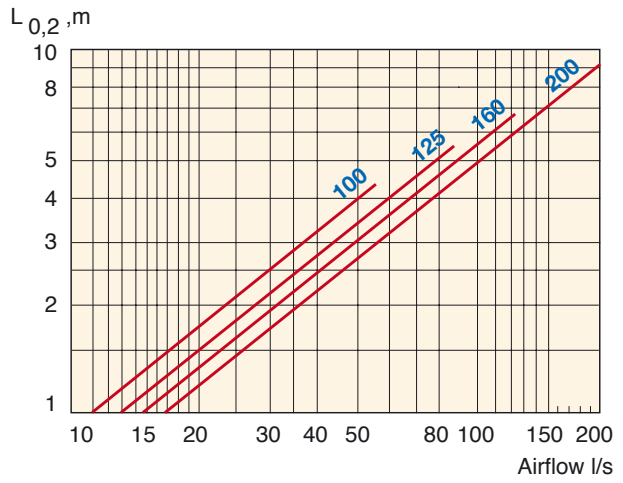
## Airflow - throw

### MIS



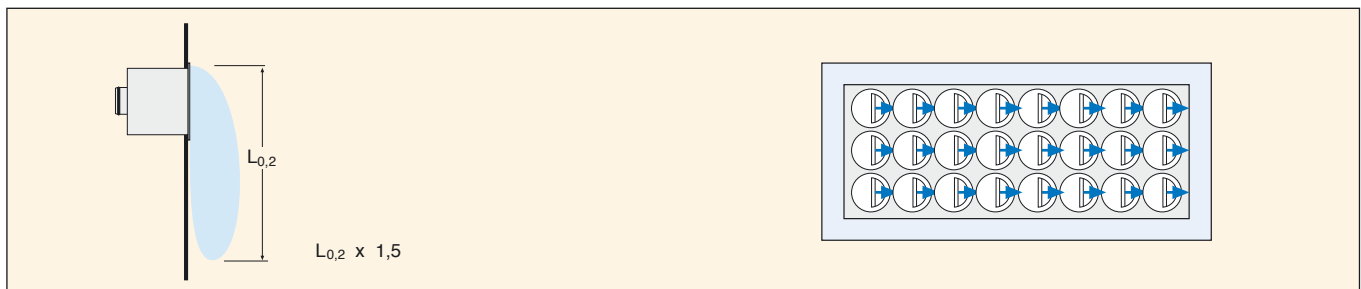
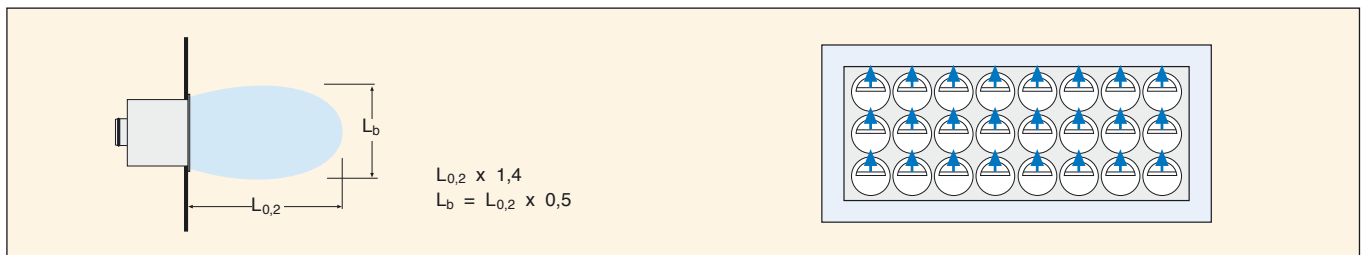
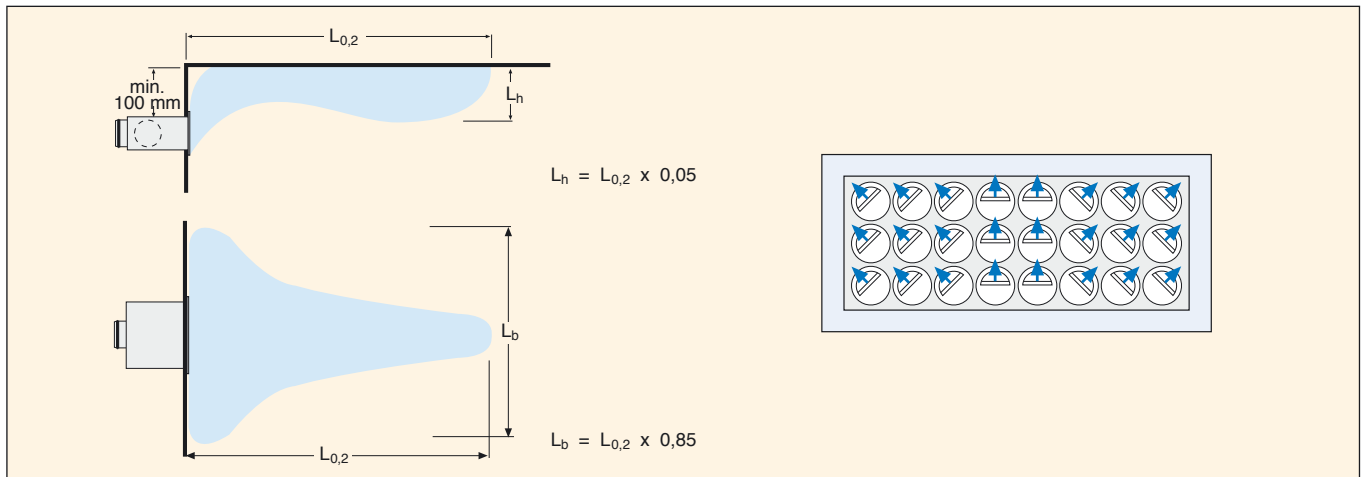
Valid for wide throw pattern, with the face 200 mm from the ceiling. The throw length increases 20 %, if the face is 100 mm from the ceiling.

### MIK

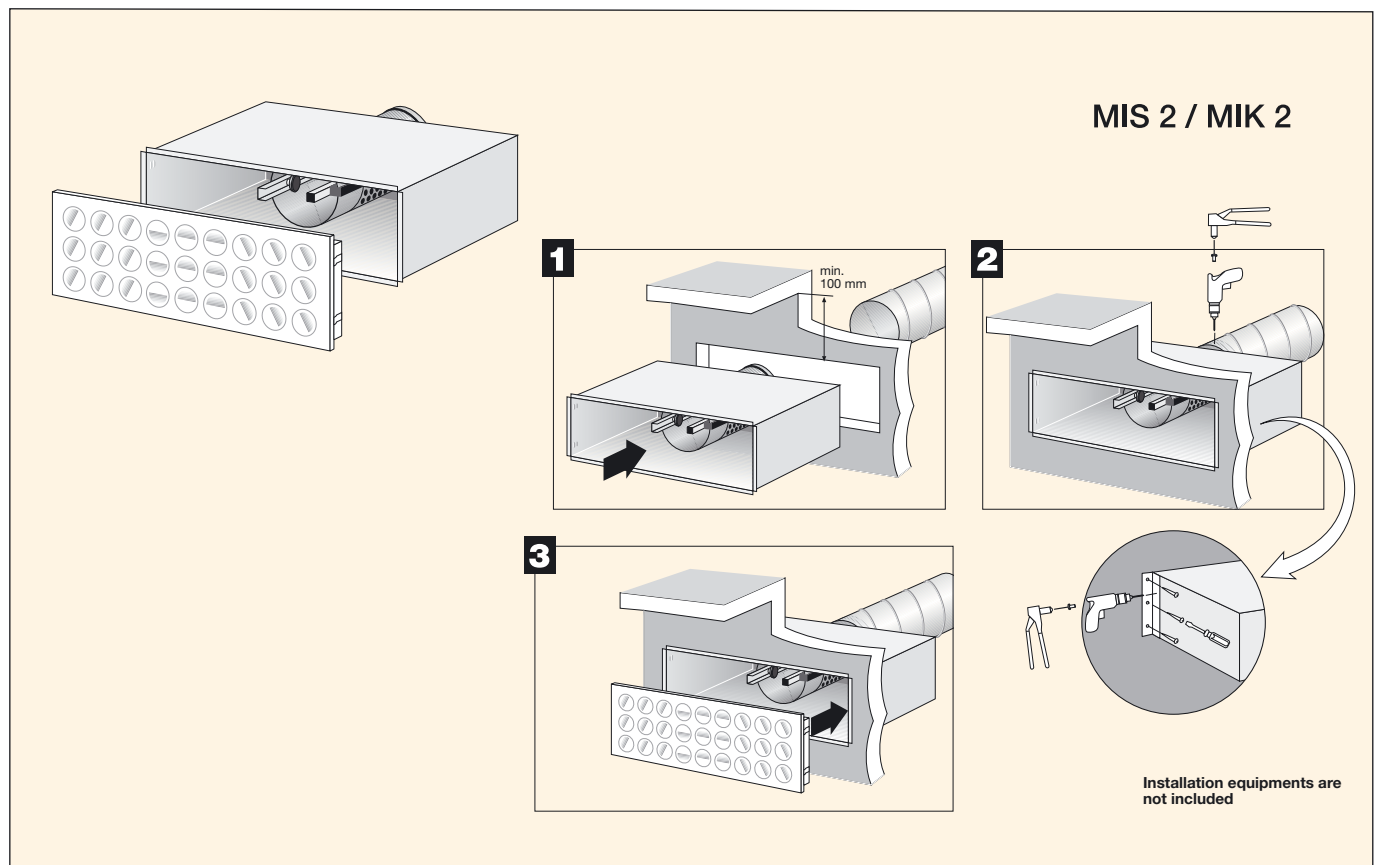
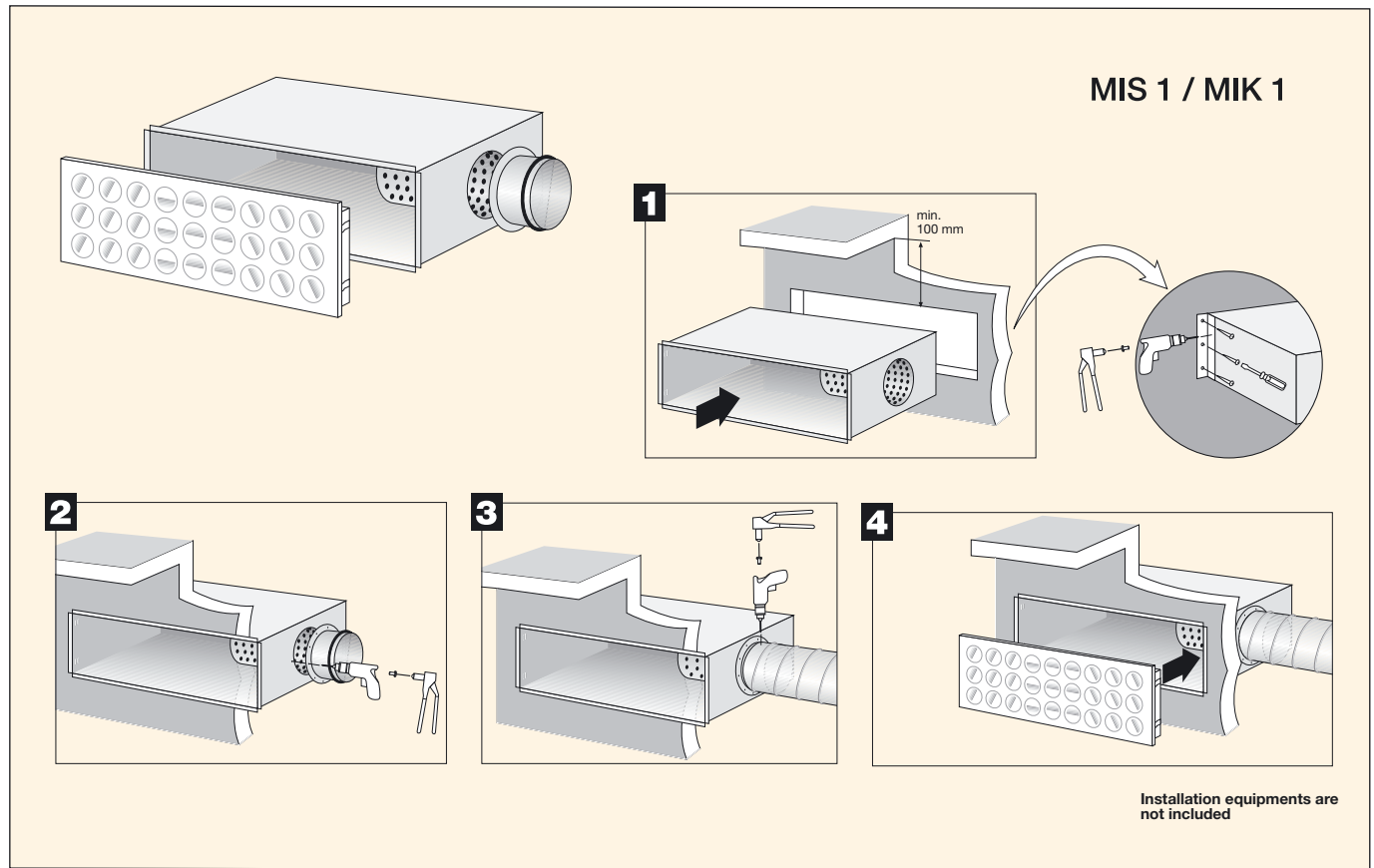


## Throw patterns

Rotation of the nozzles does not affect air flow or sound level.



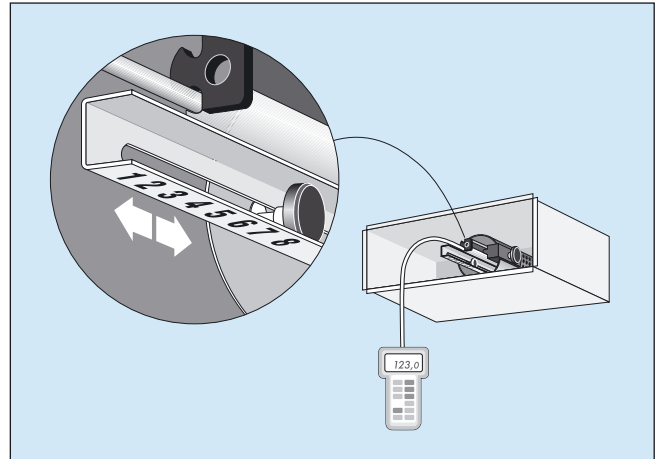
## Installation



## Commissioning

$$\text{Airflow } q_v \text{ l/s} = k \times \sqrt{\Delta p_m}$$

The k-factors are connected to the measuring tube



## The differences between MIS and MIK nozzles

