

FRESH AL-dB

Air supply window vent • 2004-01-01



- Noise reducing window vent
- Infinitely variable damper
- Made of extruded aluminium
- Dust & insect filter as standard

Fresh AL-dB

Fresh AL-dB is suitable for installation in windows subjected to a noisy environment. The vent is installed in the upper part of the window frame. Supplied with an infinitely variable damper-regulator and filter.



Specification

Product	Description	Art no
AL-dB 450/40	Noise reducing, white, length 456 mm	464540
AL-dB 800/42	Noise reducing, white, length 806 mm	468042
AL-dB 450/40 WS	Noise reducing, white, length 456mm incl. mounted storm shield	460063

Technical facts

Product	AL-dB 450/40	AL-dB 800/42	AL-dB 450/40 WS
Capacity at 10 Pa slot:	6,2	5,0	6,2
Capacity at 10 Pa row of holes:	5,2	4,4	5,2
Sound reduction D n,e,w	40 dB	42 dB	
Wall opening slot (mm):	350 x 12	350 x 12	350 x 12
Wall opening row of holes (mm):	22 x Ø12	22 x Ø12	22 x Ø12
Material:	Aluminium & ABS-plastic	Aluminium & ABS-plastic	Aluminium & ABS-plastic
Colour:	White, RAL 9010	White, RAL 9010	White, RAL 9010

FRESH AL-dB

Air supply window vent • 2004-01-01

Description/function

AL-dB has been developed to satisfy the ever increasing demands for noise reduction and at the same time achieving good indoor climate. The front section of the vent is shaped to provide low air speed and at the same time a good mixture of fresh air with the ambient room air.

The vent is available in two lengths, 456mm and 806mm. The shorter vent is also available with a special storm shield (regulates air supply during heavy winds).

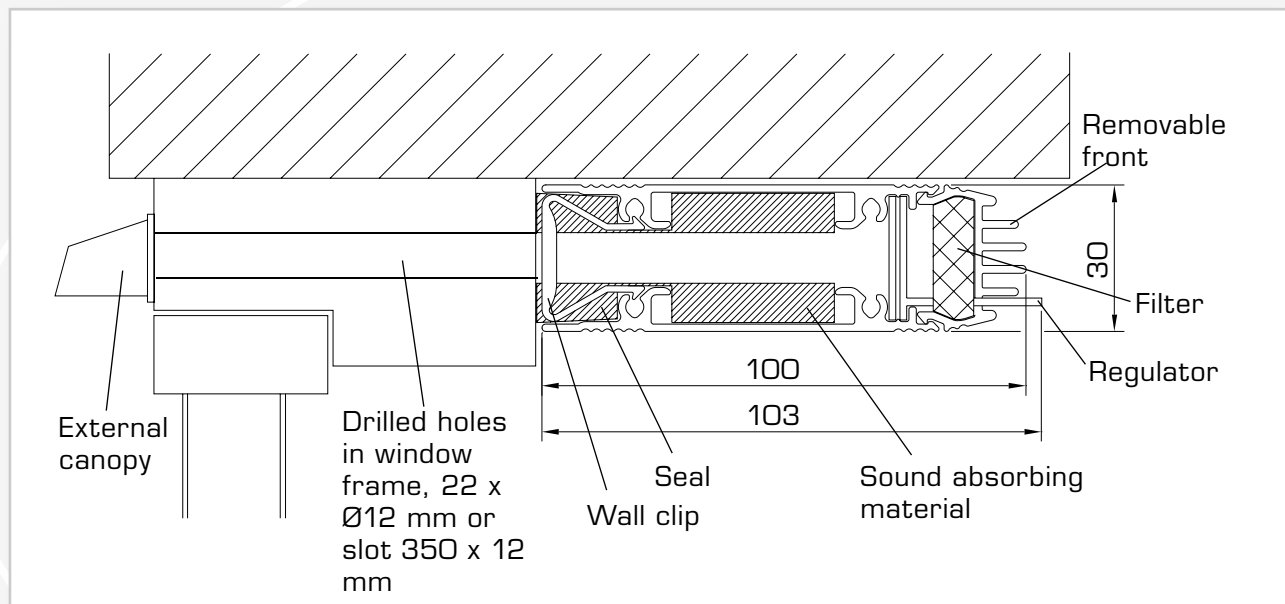
An external grille is available as accessory (made of plastic).

Internal part

The internal part is made of extruded aluminium with ends in ABS-plastic. The vent is supplied with dust & insect-filter as standard.

The airflow is easily regulated by an infinitely adjusted regulator.

The vent can also be delivered with a minimumflow-screw to secure a certain minimumflow.



Mounting

Screw the wall clips onto the frame and press the vent into place. The seal-material on the backside of the vent ensures a tight position against the frame.

Drill pattern is available as accessory (made of sheet metal). It aligns the drill and provides the correct distance between holes. The holes occur in a straight line on both sides.

FRESH AL-dB

Air supply window vent • 2003-01-01

Technical data

Technical data AL-dB 450/40

Capacity at 10 Pa:	Slot 6,2 l/s Row of holes 5,2 l/s
Soundreduction(D n,e,w):	40 dB
Wall opening:	Slot 350 x 12 mm Row of holes 22 x Ø12 mm
Material:	Aluminium and ABS-plastic
Colour:	White, RAL 9010

Technical data AL-dB 800/42

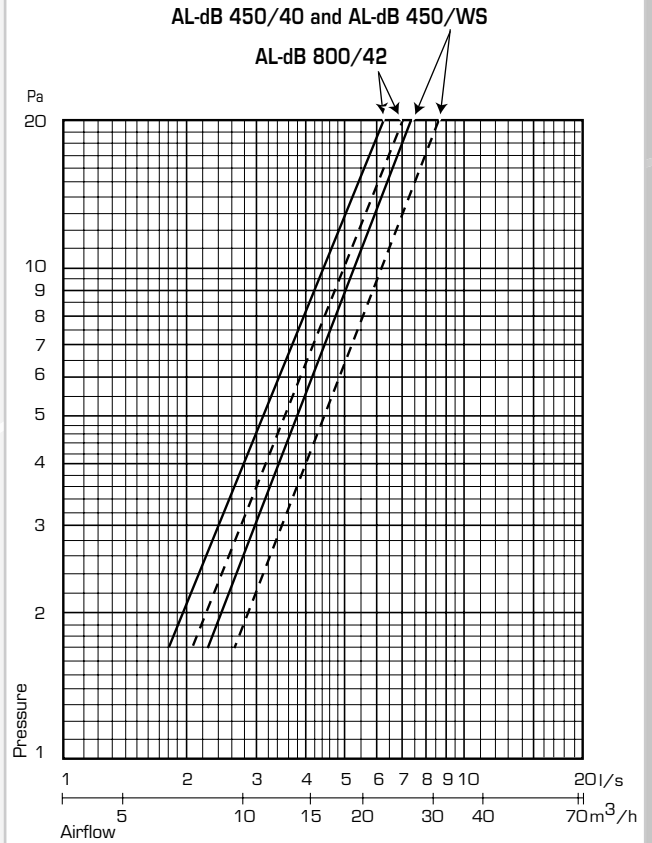
Capacity at 10 Pa:	Slot 5,0 l/s Row of holes 4,4 l/s
Soundreduction(D n,e,w):	42 dB
Wall opening:	Slot 350 x 12 mm Row of holes 22 x Ø12 mm
Material:	Aluminium and ABS-plastic
Colour:	White, RAL 9010

Technical data AL-dB 450/40 WS

Capacity at 10 Pa:	Slot 6,2 l/s Row of holes 5,2 l/s
Wall opening:	Slot 350 x 12 mm Row of holes 22 x Ø12 mm
Material:	Aluminium and ABS-plastic
Colour:	White, RAL 9010

Performance

———— Row of holes
----- Slot



FRESH AL-dB

Air supply window vent • 2004-01-01

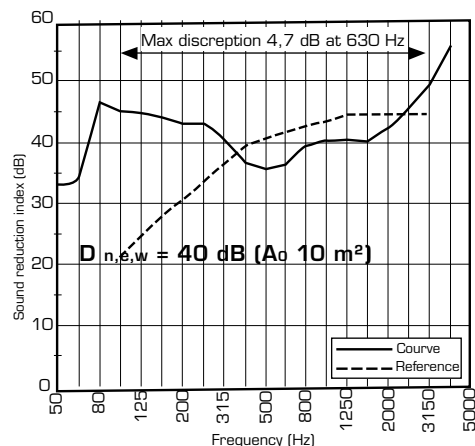
Sound data

The diagrams show sound reduction with fully open vent. The calculations are based on a reference area of 10 m².

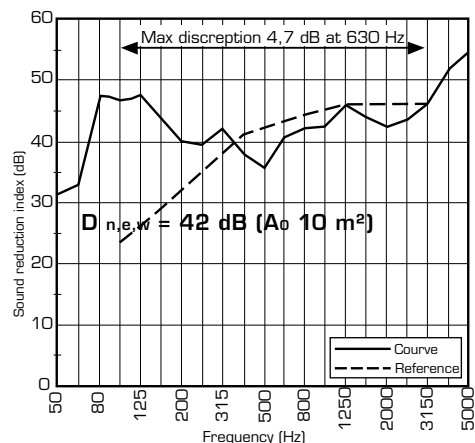
Maintenance

In order to ensure correct airflow and to retain good air quality it is important to keep the filter clean. We recommend to wash the filter 1-2/year (use a gentle soap/detergent). When necessary the vent is easily dismantled for cleaning (with for example a vacuum cleaner or a small brush). The vent is dismantled by loosening the screws to the wall clips (via the holes in the damper-regulator). The filter is mounted in the front damper which is easily removable.

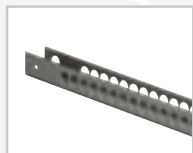
AL-dB 450



AL-dB 800



Accessories



Drill pattern

Aligns the drill and provides correct distance between holes



Channel 33

Intended for use in plastic & aluminium windows with hole profiles



Flat grille (FG)

Used as external part when mounted on special constructions (plastic)

Dimension:
363x29mm



Vertical grille (VG)

Used as external part when the vent is mounted vertically (plastic)

Dimension:
368x22mm



External canopy (HG)

For horizontal mounting (plastic)

Dimension:
400x22mm



FRESH AB
Box 7
SE-360 32 GEMLA
www.fresh.se

Telephone +46 (0)470 70 77 00
Fax +46 (0)470 70 77 39

E-mail information@fresh.se

Copyright © Fresh AB 2004 - All rights reserved