

FINO

The protruding part of the flush-mounted FINO is the lowest in the RCL Climecon range.

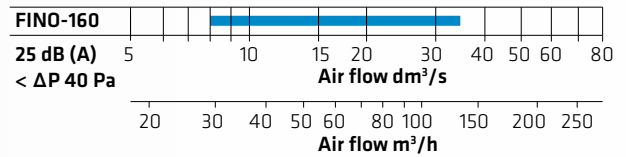
Its clear, simple design fits in well with modern interior styles while allowing virtually limitless possibilities in more traditional environments.

FINO

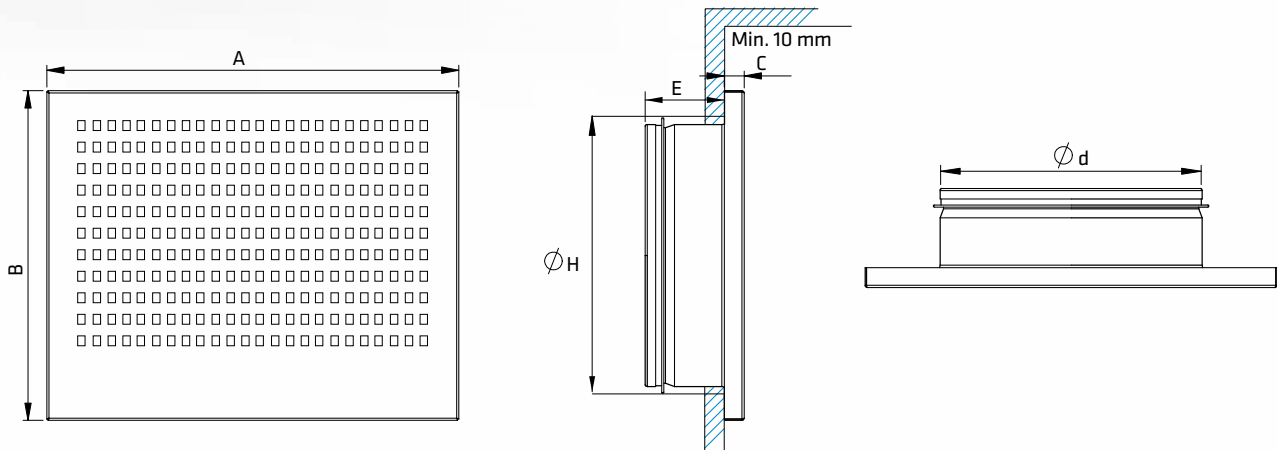
The variety of colour options allow you to either blend **FINO** in the room's interior design or highlighting it as a technical detail. FINO has a good mixing ratio and reliable measurement combined with quick and precise adjustment. Note! FINO duct connection $\text{Ø}160$.



QUICK GUIDE



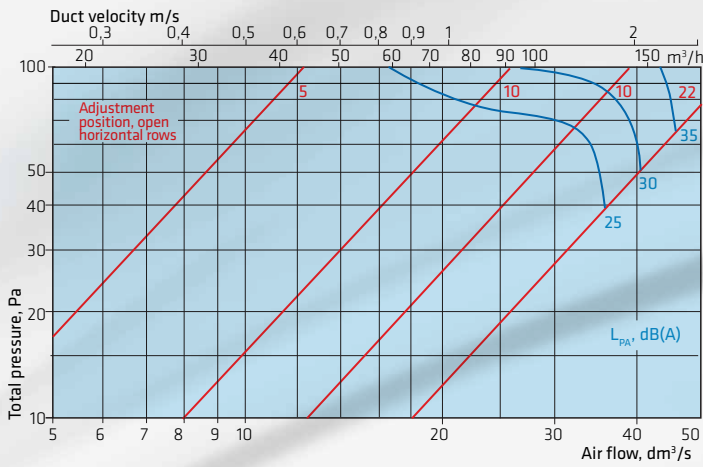
DIMENSIONS



Supply air diffusers

Model	$\text{Ø}d$	$\text{Ø}H$	AxB	C	E	Min	Weight, kg
FINO-160	160	170	250x200	12	50	10	0,9

FINO-160



Sound power level L_{okt}

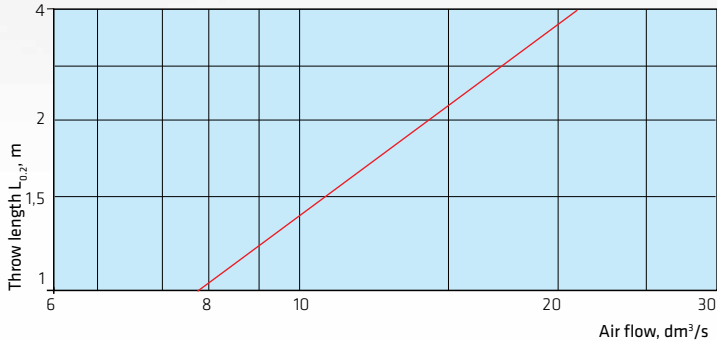
Size	f, Hz	63	125	250	500	1k	2k	4k	8k
FINO-160	K, dB	-15	-14	-8	-4	-1	-1	-9	-10

Sound attenuation

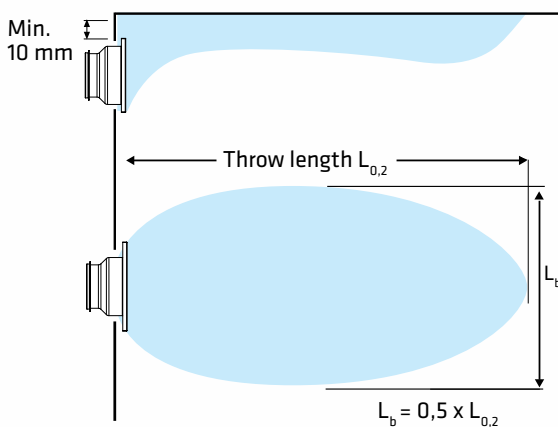
Size	f, Hz	63	125	250	500	1k	2k	4k	8k
FINO-160	ΔL , dB	18	12	7	2	0	2	1	2

$L_{w\text{okt}} = L_{pA} + K$

Throw length



Throw pattern



Airborne sound insulation D, n, e, w, dB

Supply air

Size	FINO	FINO+VAL	FINO+VAM
160	41	59	60

Sound attenuation

Sound level will increase if cover distance is below $3 \times \varnothing d$:

- after bend +4 dB (A)
- after T joint +8 dB (A)

