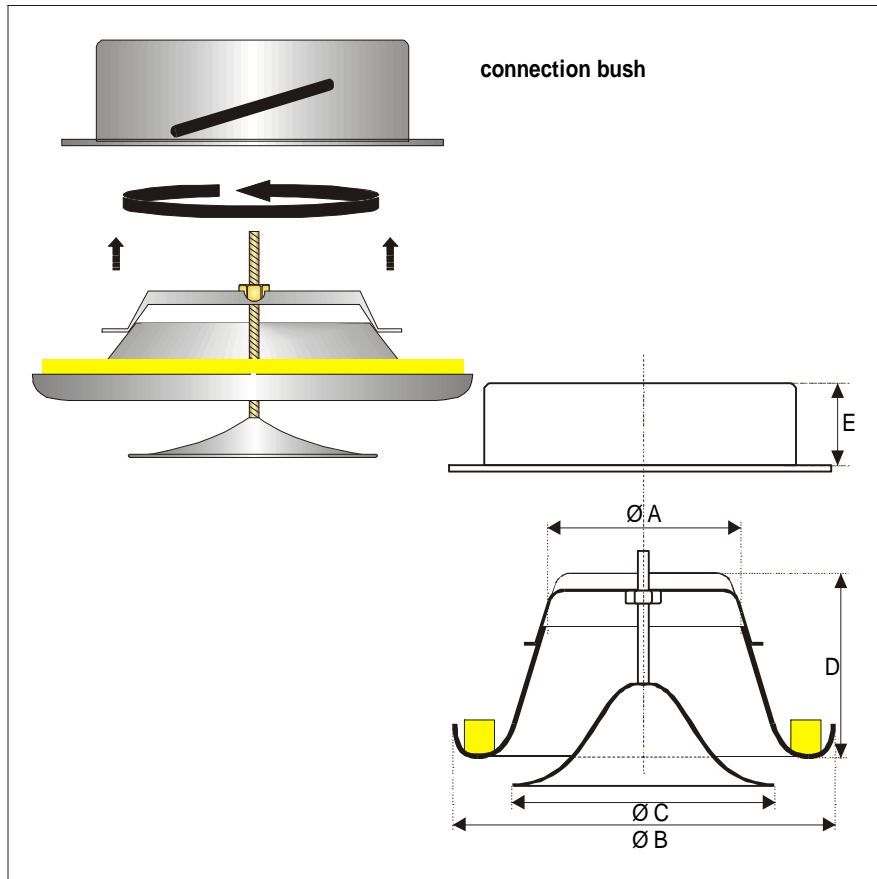


METAL SUPPLY AIR VALVES WITH FIXING COLLAR.

PRODUCT PROPERTIES

- diameter range 80, 100, 125, 150 and 200 mm
- manufactured out of powder coated steel
- standard colour white (RAL 9010), other colours on request
- with adjustable, centric, rotating valve for regulation of the air quantity
- an optimal sealing is achieved by the sealing ring
- a connection bush is included
- a DVS-L longsleeve for mounting in declining ceilings and walls is optional



DIMENSIONS (IN MILLIMETRES)

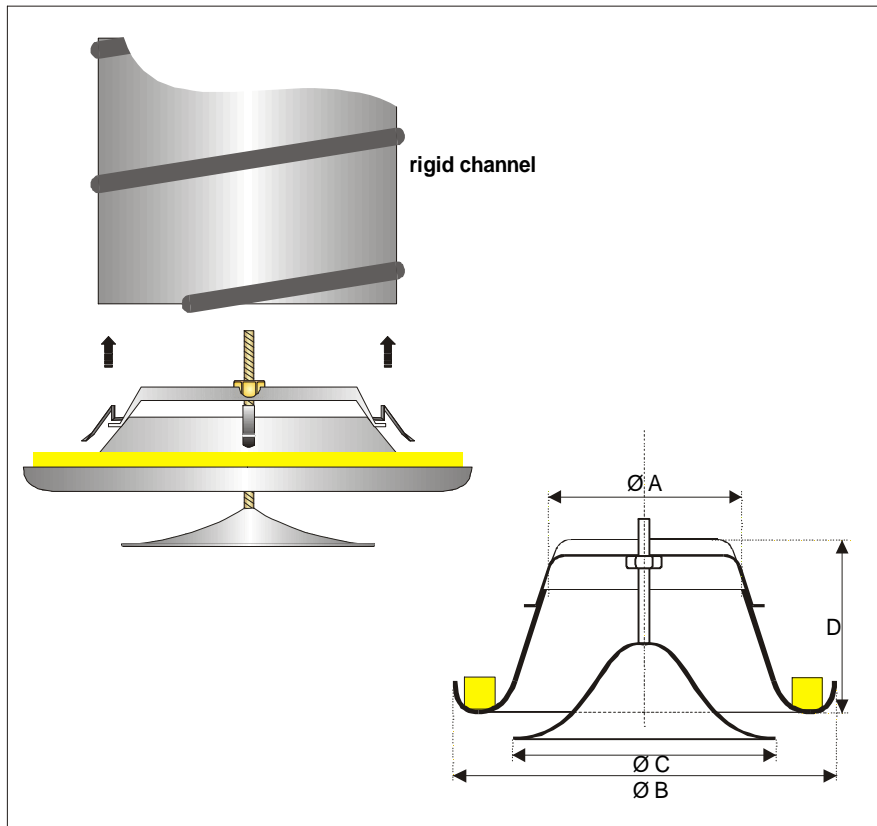
DVS-P	Ø 80	Ø 100	Ø 125	Ø 150	Ø 160	Ø 200
A	60	74	97	117	125	155
B	116	139	163	202	210	248
C	77	94	111	135	145	194
D	42	47	54	60	63	63
E	29	50	50	50	50	50

DVSC-P

Metal supply air valve with spring fastening.

PRODUCT PROPERTIES

- diameter range 80, 100, 125, 150, 160 and 200 mm
- manufactured out of powder coated steel
- standard colour white (RAL 9010), other colours on request
- with adjustable, centric, rotating valve to adjust the air quantity
- the combination of sealing tape and spring fastening provides an optimal sealing
- suitable for direct mounting in round, rigid ducts
- a DVS-L longsleeve for mounting in declining ceilings and in walls is optional

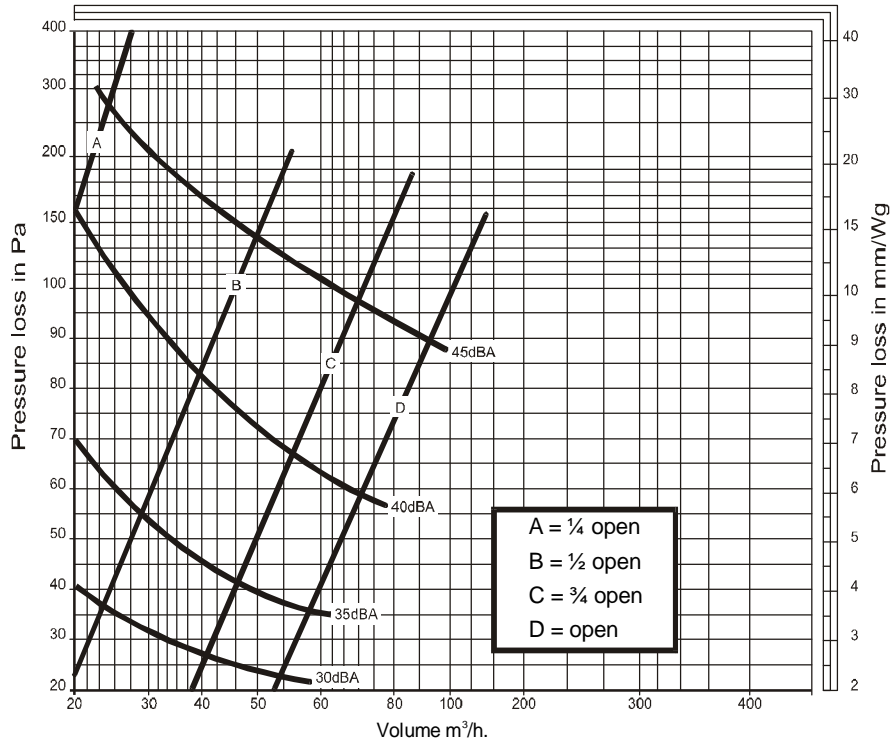


DIMENSIONS (IN MILLIMETRES)

DVSC-P	Ø 80	Ø 100	Ø 125	Ø 150	Ø 160	Ø 200
A	60	74	97	117	125	155
B	116	139	163	202	210	248
C	77	94	111	135	145	194
D	42	47	54	60	63	63

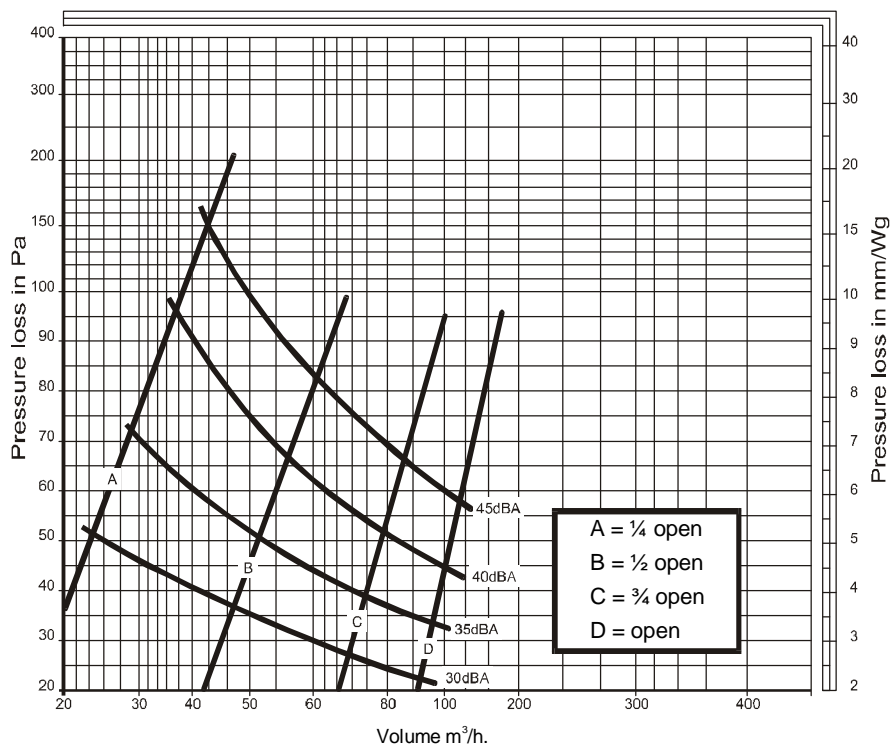
PRESSURE LOSS AND SOUND LEVEL
DVS-P/DVSC-P

Ø 80 mm



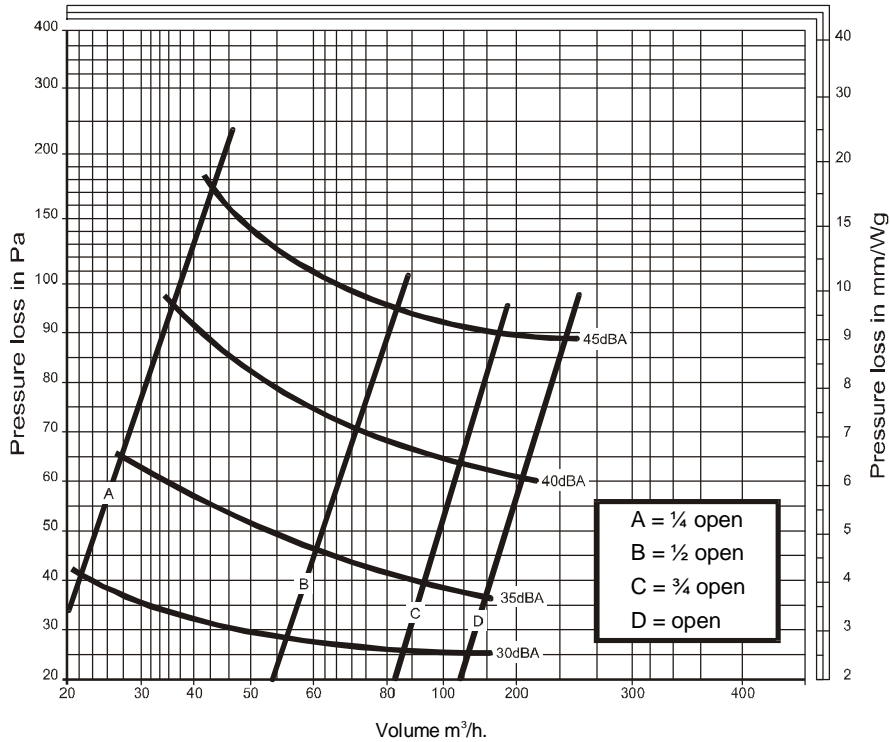
3.2

Ø 100 mm



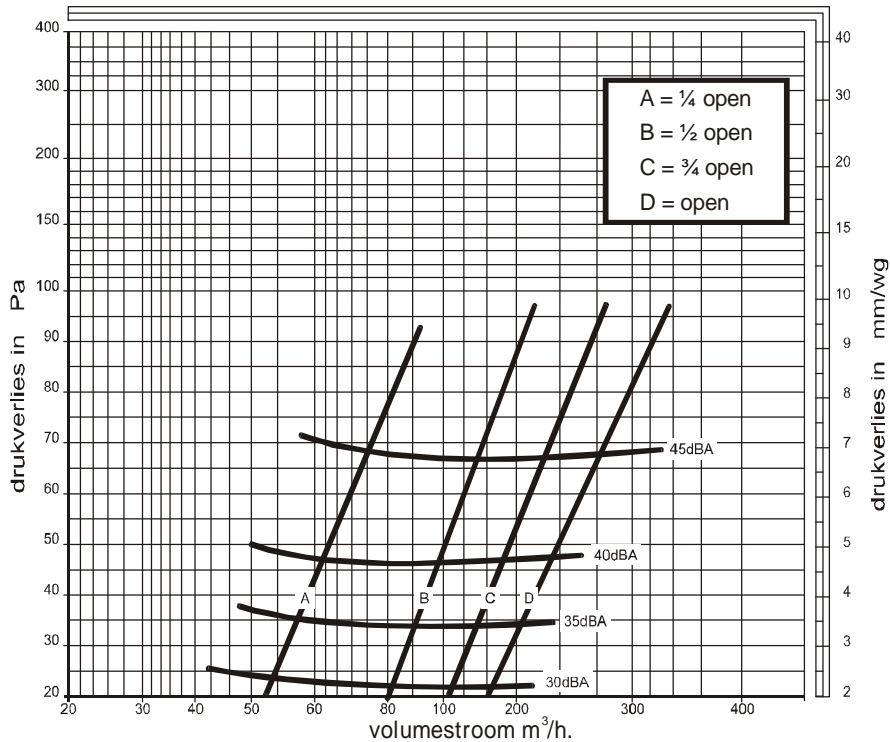
PRESSURE LOSS AND SOUND LEVEL
DVS-P/DVSC-P

Ø 125 mm



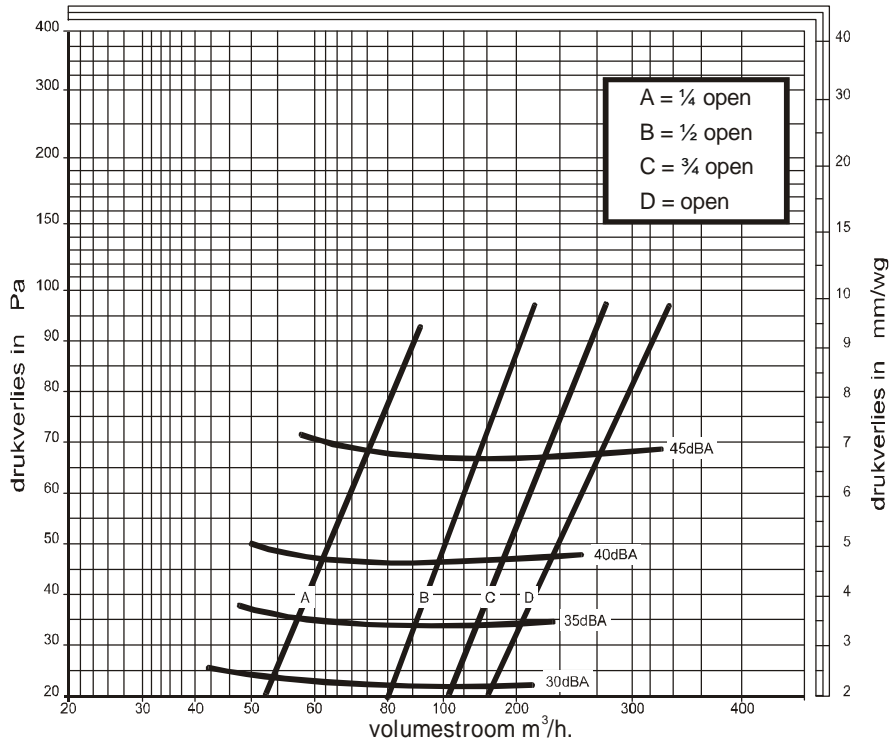
3.2

Ø 150 mm



PRESSURE LOSS AND SOUND LEVEL
DVS-P/DVSC-P

Ø 160 mm



3.2

Ø 200 mm

