

## DEN air diffuser

An air diffuser with the DEN plenum box equipped with a duct fitting  $\text{Ø}100\text{-}315$  for visible installation.

- A supply air device for rooms without a suspended ceiling.
- Easy to clean.
- Low noise level.
- Measuring and adjustment part.

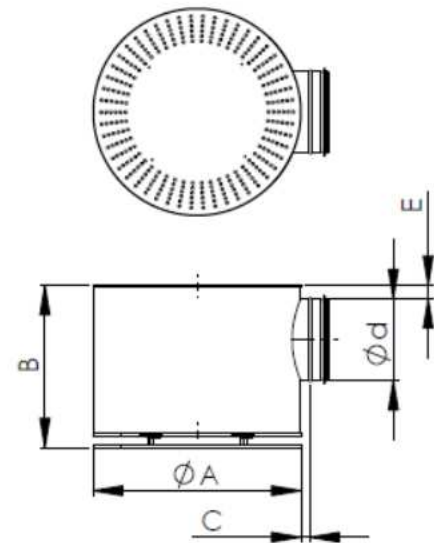
Airflow is directed in 4 directions from the gaps in the sides and through the openings in the front panel where the supply air gets easily mixed with room air. The direction plate enables to choose between 1, 2, 3 or 4-directional airflow. The easily detachable front panel of the air diffuser facilitates easy cleaning of the device.



### Design and sizes

The supply air device is made of hot-galvanised steel sheet and painted white (RAL 9010). As a special order it is also possible to choose any other colour from the RAL colour chart. The pipefitting is provided with a rubber sealing.

Size	$\text{Ø}d$	$\text{Ø}A$	B	E
100	99	350	230	30
125	124	350	230	30
160	159	400	265	30
200	199	400	295	40
250	249	500	385	40
315	314	600	480	40



### Marking

DEN	d	RAL 7000
Marking	Pipe connection size	RAL colour code

Example: DEN 200

**Colour code** – used only in case the colour is different from the standard version. The code is chosen according to the required colour in the RAL colour chart.

**The standard colour is white RAL 9010.**