



The HRT series is a humidity- or a humidity/temperature- transmitter for mounting in HVAC applications.

- \* Supply voltage 24 V AC or 15...35 V DC
- \* Accuracy +/- 3% RH
- \* Output signal 0...10 V DC or 4...20 mA
- \* IP20 and IP65
- \* Good long term stability
- \* Resistant to contamination

## Function

HRT humidity transmitter is intended for room - mounting in HVAC systems. The humidity transmitter has a capacitive thin-film element which gives a signal that is proportional to the relative humidity. The measuring signal is converted by the built-in electronics to output signal, 0...10 V or 4...20 mA

### Measuring element

The transmitter has an accuracy of +/- 3%RH (40...60%RH). The measuring element has rapid response to changes in humidity. It can withstand saturation without negative effects on the accuracy. The sensor element can be subjected to 100 %RH without being damaged and has excellent long-term stability. The element also has good durability in contaminated environments.

### Combination transmitter

The HTRT transmitter has, apart from the functions included in HRT, a temperature sensor, which, via the built-in electronics, gives output signal 0...10 V DC or 4...20 mA

### Supply voltage

The transmitter can be supplied by either 24 V AC or 15...35 V DC. The transmitter has automatic adaptation to the connected voltage.

## Models

HRT	Humidity transmitter for room mounting, 0...10V, IP20
HRT-420	Humidity transmitter for room mounting, 4...20 mA, IP20
HRT350	Humidity transmitter for wall mounting, 0...10V, IP65
HRT350-420	Humidity transmitter for wall mounting, 4... mA, IP65
HTRT	Humidity and temperature transmitter for room mounting, 0...10V, IP20
HTRT-420	Humidity and temperature transmitter for room mounting, 4...20 mA, IP20
HTRT350	Humidity and temperature transmitter for wall mounting, 0...10V, IP65
HTRT350-420	Humidity and temperature transmitter for wall mounting, 4...20 mA, IP65

## Technical data

Supply voltage	24 V AC +/-20% and 15...35 V DC
Ambient temperature	-5...+50 C°
Cabel connection	Screw terminals max 1,5mm
Protection class	IP20 or P65
CE	These products conform with the requirements of European EMC standards CENELEC EN 50081-1 and EN 50082-1 and carry the CE mark.

## Humidity

Sensor element	Capacitive thin-film element The sensor element can be subjected to 100 %RH without being damaged.
Working range	20...95 %RH
Accuracy	+/-3 % RH (40...60% RH), +/-5% RH elsewhere
Temperature dependance at 45% RH	Typical -0,05% RH/° C
Outputs:	0...10 V DC or 4-20 mA for 0...100 % RH (The signals are scaled so that 0...10V or 4...20 mA would correspond 0...100% RH.).
Sensor protection:	Membrane filter, sintered brass on request, only HRT350 and HTRT350

## Temperature only HTRT and HTRT350

Sensor element:	KF6645 Class DIN B IEC 751
Working range	-5...+50 C°
Output signals	0...10 V DC or 4...20 mA for 0...50°C
Accuracy at 20°C:	+/- 0,7°C

## Dimensions and wiring

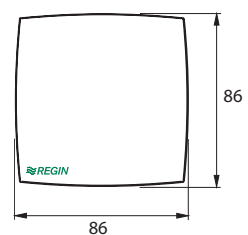
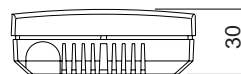
HRT  
HRT350

- 1 Supply voltage
- 2 System neutral
- 3 Output humidity 0-10 V DC

HRT-420  
HRT350-420

- 1 Supply voltage
- 2 Output humidity 4...20 mA

HRT, HTRT



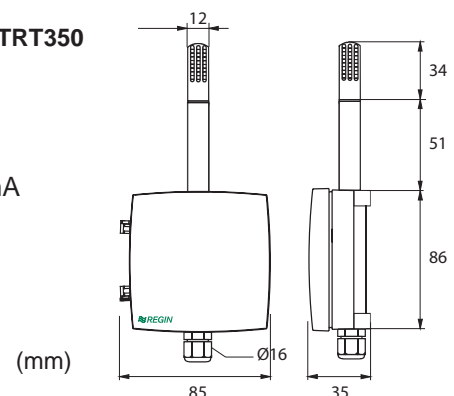
HTRT  
HTRT350

- 1 Supply voltage
- 2 System neutral
- 3 Output humidity 0-10 V DC
- 4 Output temperature 0-10 V DC

HTRT-420  
HTRT350-420

- 1 Supply voltage
- 2 Output humidity 4...20 mA
- 3 Output temperature 4...20 mA

HRT350, HTRT350



### Head Office Sweden

Phone: +46 31 720 02 00  
Web: [www.regin.se](http://www.regin.se)  
Mail: [info@regin.se](mailto:info@regin.se)

### Sales Offices

France: +33 14 171 46 46  
Hong Kong: +852 24 07 02 81  
Singapore: +65 67 47 82 33

**REGIN**

THE CHALLENGER IN BUILDING AUTOMATION