



**TI-N is a wall mounted room thermostat for controlling in HVAC systems. The thermostat can control fans, cooling units, electric heaters fans etc.**

- \* Change-over contact, 10A 250 V AC
- \* Cooling or heating function
- \* Protection class IP30
- \* Temperature range 5...30°C
- \* Setting-range can be mechanically limited
- \* Hysteresis 0.6 K

### Function

TI-N is an electromechanical thermostat for room mounting. The thermostat contains a pair of gas-filled bellows with a stainless steel membrane which reacts to a change in temperature by creating a movement which is transmitted to the switch. The thermostat can control a heating or cooling function.

### Setpoint

The thermostat has a temperature range of 5°C to 30°C. If required the range can be limited by means of mechanical endstops behind the setting knob.

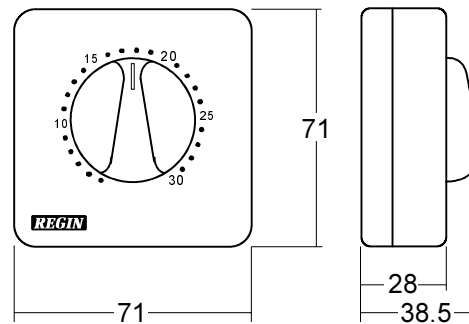
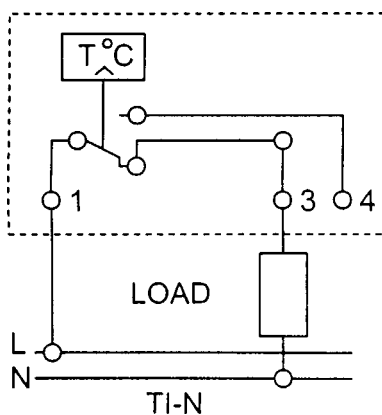
### Mounting

The thermostat has mounting holes of cc 60mm and can be mounted on a standard wallbox.

## Technical data

Ambient temperature	0...50°C
Storage temperature	-40...+50°C
Ambient humidity	Max 90% RH
Form of protection	IP30
<b>CE</b>	This product conforms with the LVD standards IEC 669-1 and carries the CE mark
<b>Output</b>	
Relay	One changeover contact, 10 (2,5) A 250 V AC
<b>Setting</b>	
Setpoint	5...30°C, mechanically limited
Hysteresis	0,6K, fixed

## Wiring and dimensions



Terminal 1	250 V in
Terminal 2	Heating out
Terminal 3	Cooling out

N.B. TI-N can be used for either heating or cooling, not both at the same time.

FOR INDOOR CLIMATE WITH OPTIMUM CONTROL

### AB Regin

Box 116, SE-428 22 Källered, Sweden  
Visiting address: Bangårdsvägen 35

Phone: +46 31 795 44 60  
Fax: +46 31 795 38 50

www.regin.se  
E-mail: info@regin.se

Org.nr.: SE556414-5455  
Säte: Mölndal