

# Model EP8102 - Dual Basic Serial PIFA

---

## Description

The Dual Basic Serial PIFA EP8102 has two serial channels used for communication via Port 2 and Port 3. See *Communication Ports* on page 133.

- One 12V DC output can be used for powering external equipment, e.g. modems, sensors etc.
- Port 3 is available only when the PIFA-unit is mounted in a processor section, normally position 2.
- Port 2 is available in any position. See Chapter 9 *Commissioning* for position settings.
- See Chapter 13 *Communication* for port handling.

## Specifications

### Power Supply

Supply voltage .....	24 V DC
tolerance .....	18–30 V DC
power consumption with maximum load.....	600 mA
power consumption with no load .....	50 mA

### Internal Power Consumption

5 V .....	40 mA
-----------	-------

### Communication Ports

Port 2, Port 3 .....	see <i>Communication Ports</i> on 133.
----------------------	--

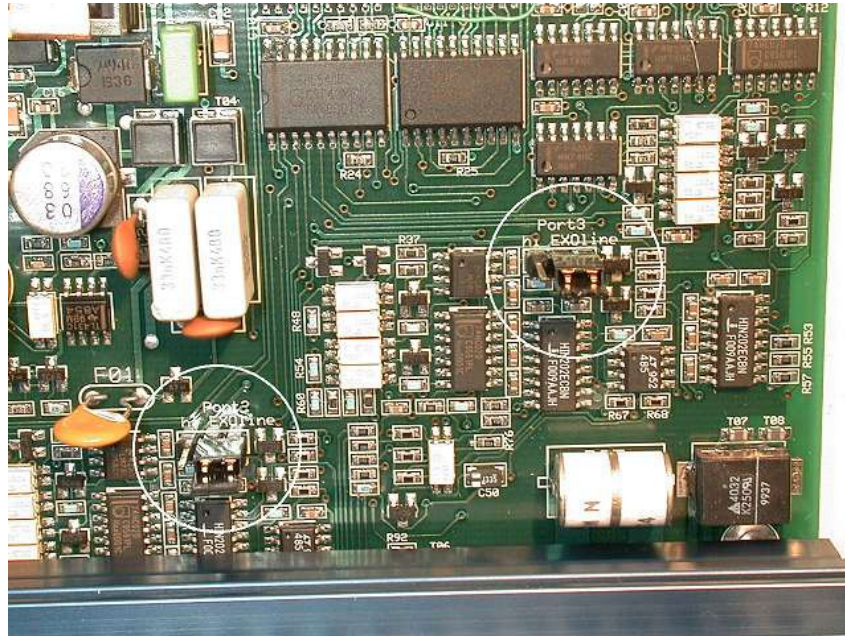
### 12 V DC Output

tolerance .....	±10 %
current limit, electronically fused.....	700 mA

### Option Interface on Port 3

If no option is specified when ordering the EP8101 it will be supplied with connection instructions for Modem 9010. When installing another option, the instructions supplied with that option will apply. Stick the new instructions over the old ones. Jumper settings are specified in the text on the circuit board.

Figure 91. The jumper switches for selecting EXOline/hIEXOline.



# Connections

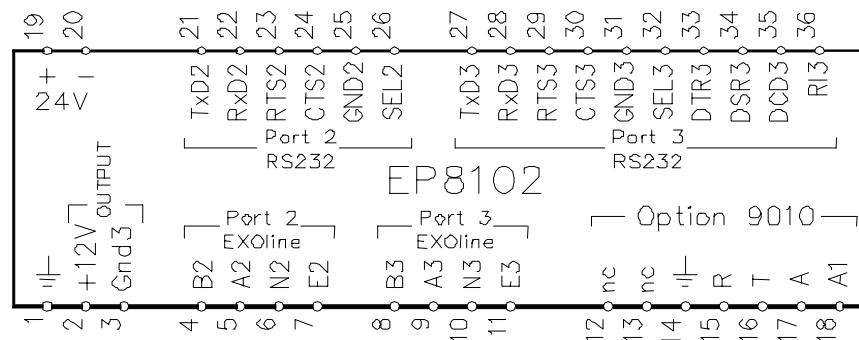
## The RS232 Port

The designations below follow the RS232 standard's DTE terminology.

Pin no	Signal	Function	Direction
<b>Port 2</b>			
21	TxD2	Transmit data	Out
22	RxD2	Receive data	In
23	RTS2	Request to send	Out
24	CTS2	Clear to send	In
25	GND2	Signal ground	
26	SEL2	Select RS232 interface. See <b>Communication Ports</b> on page 133 on how to select RS232 interface.	
<b>Port 3</b>			
27	TxD3	Transmit Data	Out
28	RxD3	Receive data	In
29	RTS3	Request To Send	Out
30	CTS3	Clear To Send	In
31	GND3	Signal ground	
32	SEL3	Select RS232 interface. See <b>Communication Ports</b> on page 133 on how to select RS232 interface.	
33	DTR3	Data Terminal Ready	Out
34	DSR3	Data Set Ready	In
35	DCD3	Data Carrier Detect	In
36	RI3	Ring Indication	In

## Options

Figure 92. Connections for EP8102 with the modem option 9010 on Port 3.



See chapter **Model Modem 9011 - PTT Modem**, section **Connections and Wiring**.

Figure 93. Connections for EP8102 with the EIB option 9017 on Port 3.

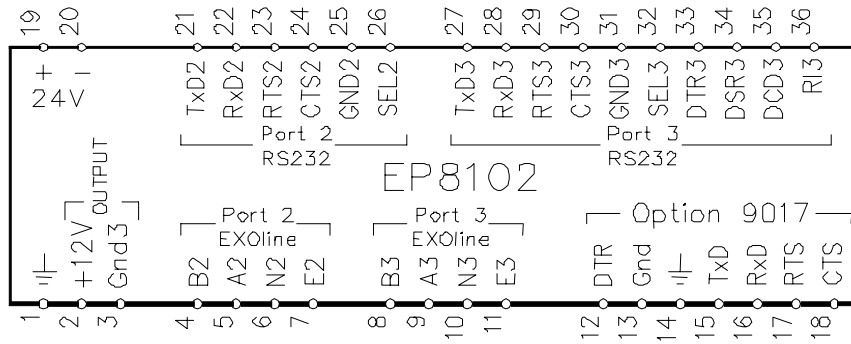


Figure 94. Connections for EP8102 with the SIOX option 9020F on Port 3.

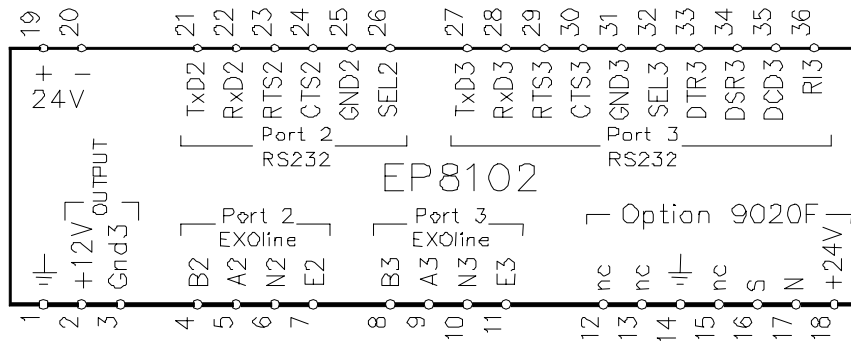


Figure 95. Connections for EP8102 with the Foxboro option 9015 on Port 3.

